

Pet Cremation



PET200 Pet cremation machine for all house pets

Highly efficient and reliable pet cremation machine for up to 7 house pets a day. Easily established in most locations.



The PET 200 pet cremation machine is designed to be the most efficient solution for cremating medium to large pets. Front opening for ease of loading and de-ashing to optimise your daily throughput to up to 7 pets. Designed for safety, performance and efficiency benefiting from Hot Hearth technology, continuously recycling heat throughout and below the primary cremation chamber, delivering complete 360° heating and reducing cremation time.

Unrivalled in it's field boasting a 40% reduction in fuel consumption compared to alternative solutions. Perfect machine for new pet crematoriums.

Machine Specification

External L x W x H (mm)	2761 x 1150 x 1945/3600
Internal L x W x H (mm)	1200 x 750 x 700
Chamber Volume (m ³)	0.63
Weight (approx tonnes)	3.7
Max Load Capacity (kg)	200
Nominal Burn Rate UK* (kg/hr)	<45
Thermal Capacity (kW)	216
Door Aperture	750 x 550
Power Supply 50/60 hz	220 - 250v
Fuel Types	Diesel, LPG, N-Gas
Hot Hearth Principle	Double Pass
Control Panel	AI or PLC
Fire Brick (Alumina)	42.5%
Insulation Fire Brick	Grade E23
Insulation Board	25mm Super-wool

*We reserve the right to change the specification, dimensions and quality of materials from time to time, so long as the alteration is minor or an improvement to the said product.

Primary Chamber

- Heavily insulated internal refractory lining. Constructed from high grade refractory brick ensuring a secure self supporting, interlocking arrangement.
- Manually opening, securely locking, access door with viewing port.
- Automatic temperature controlled on-off waste ignition burner complete with internal air fans.
- Hot Hearth Combustion Burner, temperature controlled on-off, complete with internal air fans.
- Secondary combustion burner air fans, automatically controlled distribution to their designated area.
- Two temperature sensor mounting points.

Secondary Chamber

- Fully insulated internal refractory lining. Constructed from high grade refractory brick and low thermal mass insulation.
- Secondary chamber burnout burner, temperature controlled on-off complete with internal air fans
- Automatically controlled integrated combustion burner air fans.
- Temperature sensor mounting point at the base of the exit flue ensuring the chamber reaches the necessary 850°C minimum, with a 2 second retention time.

Optional Extras

	De-ashing Tool	✓
	Pet & Horse Cremulator	✓
	Lift Table	✓
	Fuel Tank	✓
	Spares Kit & Servicing	✓

Pet Cremation

PET200

Pet cremation machine for all house pets



Waste Loading and De-Ashing

The PET series of cremators are ergonomically designed for easy and safe loading of most household pets. Loading through the front facing door can be completed manually or with the aid of a hydraulic lifting table. Able to be safely loaded multiple times throughout a cycle to enable multiple individual pet cremations in a day. At the end of every incineration process, ash should be discharged through the loading door onto the supplied catcher tray prior to being loaded for the next burn.

The Addfield Difference

- Pre-Fabricated 8mm & 10mm robust mild steel casing, seam welded and suitably stiffened/ braced where necessary.
- Lightweight resilient refractory fibre insulation door, providing a tight seal, giving excellent thermal efficiency.
- Primary chamber lining thickness 180mm rated up-to 1450°C.
- Premium paint finish - Steel structures are painted using a two-pack high grade paint system.
- Unique Hot Hearth technology enabling increased efficiency of cremation by providing additional heating below the chamber encouraging 360° heat distribution.
- Multi-layered refractory lining using fire bricks and insulation bricks, improving thermal efficiency.



Additional Operation Equipment



Hydraulic Lift Table

Providing an easier way of lifting weights up to 150kg. Ideal for safer loading. Height adjustable up to 1.3m, and a pull lever to smoothly lower the table. Ball bearing assisted loading tray.



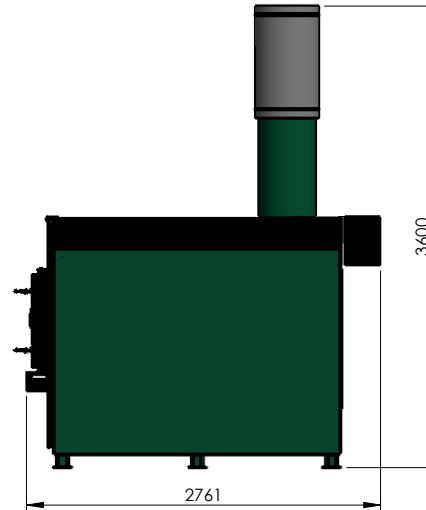
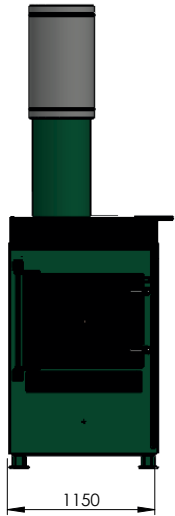
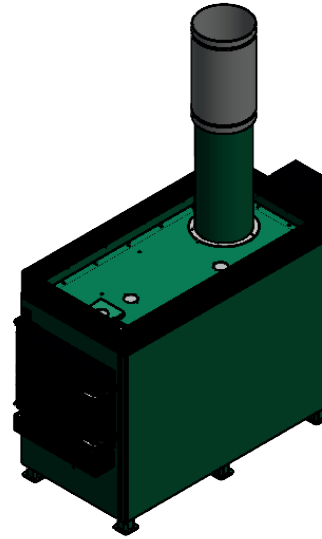
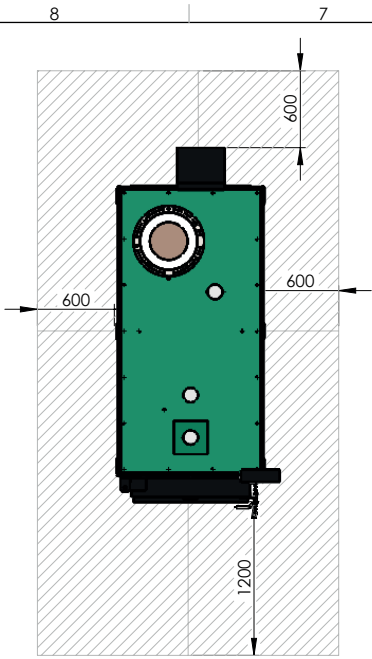
De-ashing Tools

De-ashing tools increase the comfort of de-ashing the cremator. Associated with removing hot ash from the chamber of the cremator straight into the ash box, ready to be processed in the cremulator unit.



Pet Cremulator

The cremulator processes the remains of domestic animals and grinds them into a fine ash for returning to the owner. The operation process for this only takes 60 seconds from bone material to a final ash residue.



MATERIAL:
N/A

FINISH:
N/A

WEIGHT: 3970.12 Kg



THIRD ANGLE PROJECTION
(UNLESS STATED OTHERWISE)

TOLERANCES UNLESS OTHERWISE STATED

FABRICATION	MACHINING	ANGULAR
2 to 30 ± 1	0.5 up to 3 ± 0.05	up to 400 ± 45'
>30 up to 120 ± 2	>3 up to 6 ± 0.05	>400 up to 1000 ± 30'
>120 up to 400 ± 2	>6 up to 30 ± 0.1	>1000 ± 20'
>400 up to 1000 ± 3	>30 up to 120 ± 0.15	
>1000 up to 2000 ± 4	>120 up to 400 ± 0.2	
>2000 up to 4000 ± 6	>400 up to 1000 ± 0.3	
>4000 up to 8000 ± 8	>1000 up to 2000 ± 0.5	
>8000 up to 120000 ± 10	>2000 up to 4000 ± 0.5	
>12000 up to 160000 ± 12		
>16000 up to 200000 ± 14		
>20000 ± 16		



T: +44 (0)1543 571 280
E: sales@addfield.com
www.addfield.com

Addfield Environmental Systems LTD
Unit 9, Zone 4
Burntwood Business Park
Staffordshire
WS7 3XD

PROJECT: **PET 200**

TITLE: **Sale GA**

DRAWING No. **PET200 Sale GA** REV **-**
SHEET 1 OF 1 SCALE: 1:40 A3

D	DATE	DRAWN	CHECKED	APPROVED	C	DATE	DRAWN	CHECKED	APPROVED	B	DATE	DRAWN	CHECKED	APPROVED	A	DATE	DRAWN	CHECKED	APPROVED	
																24/10/2022	A.SKIDMORE			
COMMENTS					COMMENTS					COMMENTS					COMMENTS					
ZONES: xx					ZONES: xx					ZONES: xx					ZONES: xx					
ISSUE FOR MANUFACTURE										Addfield Environmental Systems LTD This drawing and any information or descriptive material set out on it are the confidential and copyright property of Addfield Environmental Systems, and MUST NOT BE DISCLOSED, COPIED, LOANED in whole or part or used for any purpose without the written permission of Addfield Environmental Systems.										