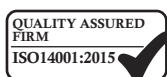
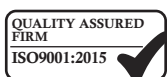


Medical



AES100 (2SEC)

The AES100 (2SEC) is a compact medical incinerator, ideal for the incineration of laboratory waste.



The AES100 (2SEC) is our low capacity incinerator that runs at 850°C/1100°C with a two second residual time, making it ideal for incinerating most medical waste types.

The most compact incinerator in our range, the AES100 (2SEC) has a 50kg load capacity and a 0.20m³ chamber volume.

Made from lightweight yet durable materials making it a highly versatile machine that can be trailer mounted and used as mobile incineration unit.

The AES100 (2SEC) machines are fully DEFRA and DARD approved to burn less than 50kg/hr.

Machine Specification

External L x W x H (mm)	1457 x 900 x 2140/3890
Internal L x W x H (mm)	845 x 440 x 550
Chamber Volume (m ³)	0.20
Weight (approx tonnes)	1
Max Load Capacity (kg)	50
Nominal Burn Rate	<50
Power Supply 50/60 hz (three phase)	210 - 230v <small>(single phase 110-120v on request)</small>
Thermal Capacity (kW)	240
Fuel Types	Diesel, LPG, N-Gas
Door Aperture	450 x 440
Control Panel	Rear Position

*We reserve the right to change the specification, dimensions and quality of materials from time to time, so long as the alteration is minor or an improvement to the said product.

Primary Chamber

- Fully insulated internal lining with a total thickness of 100mm. 75mm high grade concrete lining and 25mm block 1000 insulation board lining, with a coated protective zirconia paint finish.
- Manually opening, securely locking, access lid.
- Automatic temperature controlled on-off waste ignition burner complete with internal air fans.
- Primary combustion burner air fans, automatically controlled distribution to their designated area.
- One temperature sensor mounted point.

Secondary Chamber

- Fully insulated internal refractory lining. Constructed from 80mm high grade, low thermal mass insulation.
- One secondary chamber burnout burner, temperature controlled on-off, complete with air fans.
- Integrated combustion burner air fans with automatically controlled distribution to their designated areas.
- One temperature sensor mounting point at the top of the chamber, ensuring the chamber maintain the necessary 850°C minimum.

Waste Type

	Clinical Waste	✓
	Treated Waste	✓
	Anatomical Waste	✓
	Cytotoxic & Cytostatic Waste	✓
	Offensive/Hygiene Waste	✓
	Medicinal Waste	✓
	Domestic (municipal) Waste	✓

Medical

AES100 (2SEC)



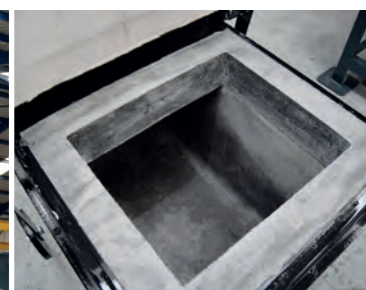
Waste Loading and De-Ashing

The AES100 (2SEC) is our most compact incinerator, with a maximum load capacity of 50kg. Once the process of incineration has been completed, the removal of the ash residue can be extracted using a shovel or spade.

The ash residue left will be 3-5% from the original waste entered into the machine. This remaining ash can be taken to landfill or depending upon the composition, can be mixed into the ground.

The Addfield Difference

- Pre-fabricated robust mild steel casing, seam welded and suitably stiffened/ braced where necessary.
- Lightweight resilient refractory fibre insulation lid, providing a tight seal, giving excellent thermal efficiency.
- Primary and secondary chamber lining thickness at 100mm.
- Steel shell structures are painted using our premium two-pack, high grade paint system, resulting in a glossy finish.
- Our AIC control panel located at the rear of the machine controls the function, temperatures and times of the incineration process.
- Multi-layered refractory lining using cast concrete and insulation board, improving thermal efficiency.



Additional Operation Equipment



Bin Tipper

The Bin Tipper unit empties waste within the bin using a unique electro-hydraulic mechanism that can lift and tip more than 150kg. Hands free loading ensures operators safety, when dealing with hazardous waste.



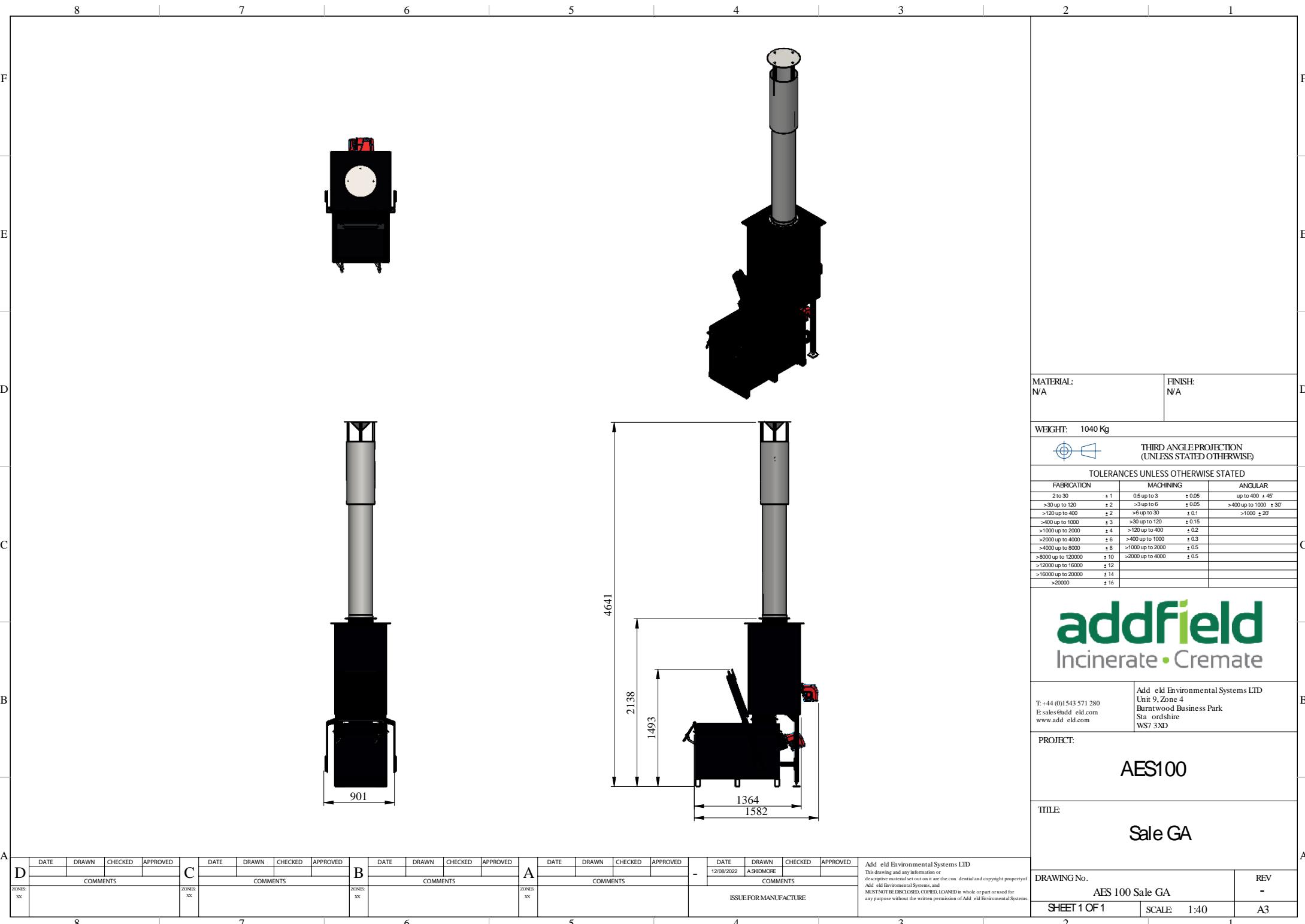
Fuel Tank

Allowing you to operate the incinerator in all locations as well as providing a backup to your traditional supply. Available in 1000 to 5000 litre capacity. Fuel can be safely stored and monitored in close proximity to your incinerator.



Control Panel

Specially designed control panels, to manage your incineration. Manual operation and able to be adjusted for optimal results. Push button and control with adjustable screen settings.



MATERIAL: N/A	FINISH: N/A
------------------	----------------

WEIGHT: 1040 Kg

THIRD ANGLE PROJECTION
 (UNLESS STATED OTHERWISE)

TOLERANCES UNLESS OTHERWISE STATED		
FABRICATION	MACHINING	ANGULAR
2 to 30 ± 1	0.5 up to 3 ± 0.05	up to 400 ± 45'
>30 up to 120 ± 2	>3 up to 6 ± 0.05	>400 up to 1000 ± 30'
>120 up to 400 ± 2	>6 up to 30 ± 0.1	>1000 ± 20'
>400 up to 1000 ± 3	>30 up to 120 ± 0.15	
>1000 up to 2000 ± 4	>120 up to 400 ± 0.2	
>2000 up to 4000 ± 6	>400 up to 1000 ± 0.3	
>4000 up to 8000 ± 8	>1000 up to 2000 ± 0.5	
>8000 up to 120000 ± 10	>2000 up to 4000 ± 0.5	
>12000 up to 16000 ± 12		
>16000 up to 20000 ± 14		
>20000 ± 16		

Incinerate • Cremate

T: +44 (0)1543 571 280
 E: sales@add-eld.com
 www.add-eld.com

Add-eld Environmental Systems LTD
 Unit 9, Zone 4
 Burntwood Business Park
 Staffordshire
 WS7 3XD

PROJECT:

AES100

TITLE:

Sale GA

DATE	DRAWN	CHECKED	APPROVED	DATE	DRAWN	CHECKED	APPROVED	DATE	DRAWN	CHECKED	APPROVED	DATE	DRAWN	CHECKED	APPROVED	DATE	DRAWN	CHECKED	APPROVED				
COMMENTS				COMMENTS				COMMENTS				COMMENTS				COMMENTS				COMMENTS			
ISSUE FOR MANUFACTURE																							

Add-eld Environmental Systems LTD This drawing and any information or descriptive material set out on it are the confidential and copyright property of Add-eld Environmental Systems, and MUST NOT BE DISCLOSED, COPIED, LOANED in whole or part or used for any purpose without the written permission of Add-eld Environmental Systems.	
DRAWING No.	REV
AES 100 Sale GA	-
SHEET 1 OF 1	SCALE 1:40
	A3