



A200 The most robust reliable and efficient incinerators available anywhere.
The A200 agricultural incinerator is ideal for waste produced by farms.



Maintain your biosecurity through securely destroying a complete range of Agricultural and Farm waste.

Designed and built along the latest advances in animal incineration. Achieving a 40% reduction in fuel consumption compared to alternative solutions, through having a multi layered brick based refractory.

Biosecurity is a growing concern across the globe, the implementation of an Addfield A200 can improve your ability to safely destroy animal waste. Compliant with EU Animal By Products Regulations.

Machine Specification

External L x W x H (mm)	3750 x 4955 x 3918/7518
Internal L x W x H (mm)	3035 x 1340 Ø
Chamber Volume (m ³)	4.2
Weight (approx tonnes)	21
Nominal Burn Rate (kg/hr)	<200
Thermal Capacity (kW)	770
Door Aperture	1340 Ø
Fuel Types	Diesel, LPG, N-Gas
Control Panel	AI or PLC
Insulation Fire Brick	Grade E23
Fire Brick (Alumina)	42.5%

*We reserve the right to change the specification, dimensions and quality of materials from time to time, so long as the alteration is minor or an improvement to the said product.

Primary Chamber

- Fully insulated internal refractory lining, constructed from high grade refractory brick ensuring a self-supporting, interlocking arrangement.
- Fully interlocked, manually operated, access door.
- Waste ignition burner, temperature controlled on-off, complete with internal air fans.
- Combustion burner, temperature controlled on-off, complete with internal air fans.
- Primary combustion burner air fans with automatically controlled distribution to their designated area.
- One temperature sensor mounting points.

Secondary Chamber

- Fully insulated internal refractory lining, constructed from high grade refractory brick and low thermal mass insulation.
- Secondary chamber burnout burner, temperature controlled on-off, complete with internal air fans.
- Integrated combustion burner air fans with automatically controlled distribution to their designated area.
- All combustion fuel pipework.
- All electrical components.
- One temperature sensor mounting point at the base of the exit flue ensuring the chamber reaches the necessary 850°C minimum, with a 2 second residence time.

Recommended Waste Types

	Poultry & Chickens	✓
	Sheep & Lambs	✓
	Pigs & Sows	✓
	Goats	✓
	Cows & Cattle	✓



A200 The most robust reliable and efficient incinerators available anywhere.



Waste Loading and De-Ashing

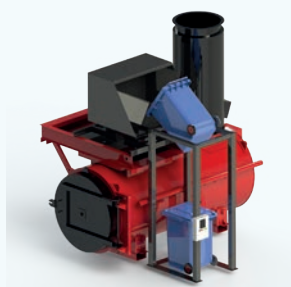
The A200 incinerator is designed for front loading only through the main access door. Due to the type of waste they incinerate, bio-security measures should be in place on the site of the incinerator due to the possibility of spillage and spread of disease. At the end of every incineration process ash should be discharged through the loading door into the supplied catcher tray prior to being loaded for the next burn.

The Addfield Difference

- Pre-fabricated 8mm & 10mm robust mild steel casing, seam welded and suitably stiffened/ braced where necessary.
- Lightweight resilient refractory fibre insulation lid, providing a tight seal, giving excellent thermal efficiency.
- Primary and secondary chamber lining thickness 180mm, rated up-to 1450°C.
- Low thermal mass door lining, with removable roof and back plate for ease of maintenance.
- Paint finishing – The steel structures are painted using a two-pack high grade paint system.
- With a choice of an AI or PLC Controller, customisable programs can cut your operations times.
- A 180mm thick refractory lining, using fire bricks and insulation bricks, improving thermal efficiency.



Additional Operation Equipment



Bin Tipper

An Automatically bin tipper system provides hands free loading of hazardous waste.



Chute Loader

A top loading chute system aids the continuous loading of waste during operation. Ideal for use with a bucket loading tipper system.



Venturi System

An advanced flue gas treatment system designed to further reduce dust, acid gasses, dioxins and furans. Highly effective the venturi is widely regarded as the leading treatment system in its field.

A200

MATERIAL: N/A
FINISH: N/A

WEIGHT: 7592619.59 Kg

THIRD ANGLE PROJECTION
(UNLESS STATED OTHERWISE)

TOLERANCES UNLESS OTHERWISE STATED

FABRICATION	MACHINING	ANGULAR
± 0.50	± 0.05	± 0.05
>30 up to 120	± 0.05	± 0.05
>120 up to 400	± 0.10	± 0.10
>400 up to 1000	± 0.15	± 0.15
>1000 up to 2000	± 0.20	± 0.20
>2000 up to 4000	± 0.30	± 0.30
>4000 up to 8000	± 0.40	± 0.40
>8000 up to 120000	± 0.50	± 0.50
>12000 up to 160000	± 0.60	± 0.60
>16000 up to 20000	± 0.70	± 0.70
>20000	± 0.80	± 0.80



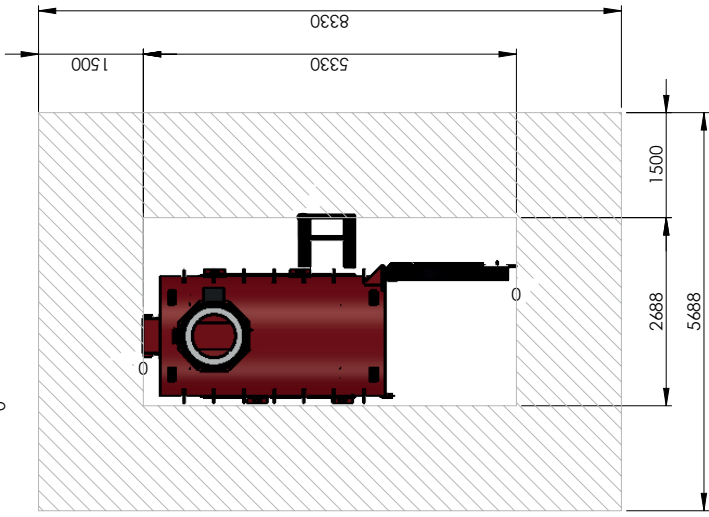
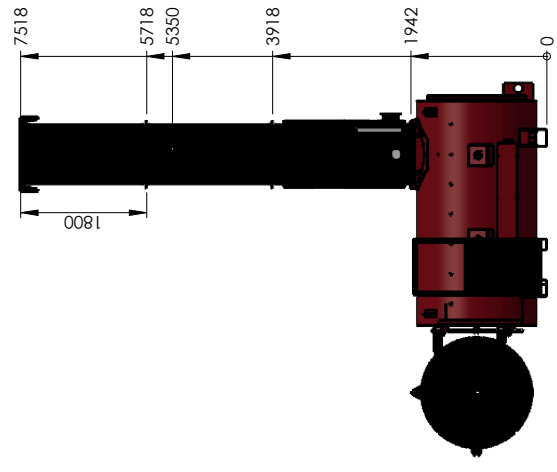
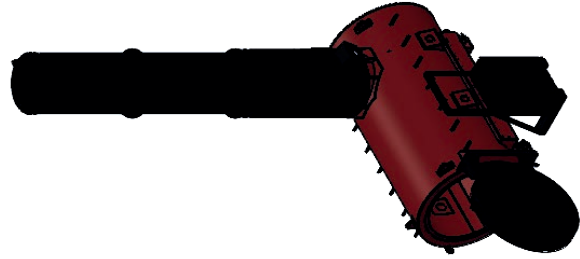
T: +44 (0) 1543 571 280
E: sales@addfield.com
www.addfield.com

Address: Addfield Environmental Systems LTD
Unit 9, Zone 4
Burntwood Business Park
Staffordshire
WS7 3XD

PROJECT: A200

TITLE: GA

DRAWING No. G200 With V SCC Sale GA
SHEET 1 OF 1 SCALE: 1:75 REV - A3



DATE	DRAWN	CHECKED	APPROVED	DATE	DRAWN	CHECKED	APPROVED	DATE	DRAWN	CHECKED	APPROVED
COMMENTS			COMMENTS			COMMENTS			COMMENTS		
ZONES: XX			ZONES: XX			ZONES: XX			ZONES: XX		
ISSUE FOR MANUFACTURE											

Addfield Environmental Systems LTD
This drawing and any information or descriptive material set out on it is the confidential and copyright material of Addfield Environmental Systems LTD. IT IS NOT TO BE REPRODUCED, COPIED, LOANED in whole or part or used for any purpose without the written permission of Addfield Environmental Systems.