

Agriculture

**SB** Maintain Biosecurity with clean efficient agricultural waste destruction. Agricultural incinerator for poultry, sheep, swine and butchery waste. Protect your sites biosecurity.



Maintain your biosecurity through securely destroying a complete range of Agricultural and Farm waste. Designed and built along the latest advances in animal incineration.

Achieving a 40% reduction in fuel consumption compared to alternative solutions, through having a multi layered brick based refractory.

Top loading with impact resistant reinforced concrete blocks for hard wearing easy operation.

DEFRA approved and compliant with EU Animal By Products Regulations. 750kg loading capacity.

**Machine Specification**

External L x W x H (mm)	3425 x 2900 x 2145/4030
Internal (at widest point) L x W x H (mm)	1625 x 1100 x 930
Chamber Volume (m <sup>3</sup> )	1.54
Weight (approx tonnes)	3.6
Max Load Capacity (kg)	750
Nominal Burn Rate UK* (kg/hr)	<50
Burn Rate [Export Only]* (kg/hr)	50 - 75
Thermal Capacity (kW)	144
Power Supply 50/60 hz	220 - 250v
Door Aperture	1565 x 1070
Control Panel	AI or PLC
Fuel Types	Diesel, LPG, N-Gas
Insulation Board	25mm Super-wool
Insulation Fire Brick	Grade E23
Fire Brick (Alumina)	42.5%

\*We reserve the right to change the specification, dimensions and quality of materials from time to time, so long as the alteration is minor or an improvement to the said product.

**Primary Chamber**

- Pre-cast block impact zone protecting refractory lining during loading.
- Heavily insulated internal brick refractory, constructed along an interlocking systems to ensure maximum strength and resilience.
- Premium grade high alumina content refractory brickwork delivering optimal thermal retention.
- Top loading counter balanced insulated access lid.
- Temperature controlled waste ignition burner automatic on-off, complete with internal air fans.

**Secondary Chamber**

- Fully insulated internal refractory lining. Constructed from high grade low thermal mass insulation.
- Temperature controlled Secondary chamber burnout burner with automatic on-off control, complete with internal air fans.
- Integrated combustion burner air fans automatically controlling distribution to designated areas.
- Temperature sensor mounting point at the top of the chamber, ensuring the chamber reaches the required 850°C minimum, with a 2 second retention time.

**Recommended Waste Types**

	Poultry & Chickens	✓
	Sheep & Lambs	✓
	Pigs & Sows	✓
	Goats	✓

## Agriculture

# SB

Maintain Biosecurity with clean efficient agricultural waste destruction.



## Waste Loading and De-Ashing

The agricultural range of incinerators are designed for top loading directly into the primary chamber. Loading can be manual or mechanically through digger or hydraulic bin tipper. To be loaded no more than once per day prior to operation. The incineration process will reduce the waste to approximately 3% volume, ash. The ash should be removed before the following waste is loaded to ensure optimum burn rates. Optional de-ashing doors are available

## The Addfield Difference

- Pre-Fabricated 8mm & 10mm robust mild steel casing, seam welded and suitably stiffened/ braced where necessary.
- Optimised loading chamber for maximum operational capacity.
- Lightweight resilient refractory fibre insulated lid, providing a tight seal, giving excellent thermal efficiency.
- Counterweighted loading chamber lid for ease of use.
- Primary chamber lining thickness 180mm rated up-to 1450°C
- Premium paint finish - Steel structures are painted using a two pack high grade paint system.
- Multi-layered refractory lining using fire bricks and insulation bricks, improving thermal efficiency.



## Additional Operation Equipment



### Bin Tipper

The Bin Tipper unit empties waste within the bin using a unique electro-hydraulic mechanism that can lift and tip more than 150kg. Hands free loading ensures operators safety, when dealing with hazardous waste.



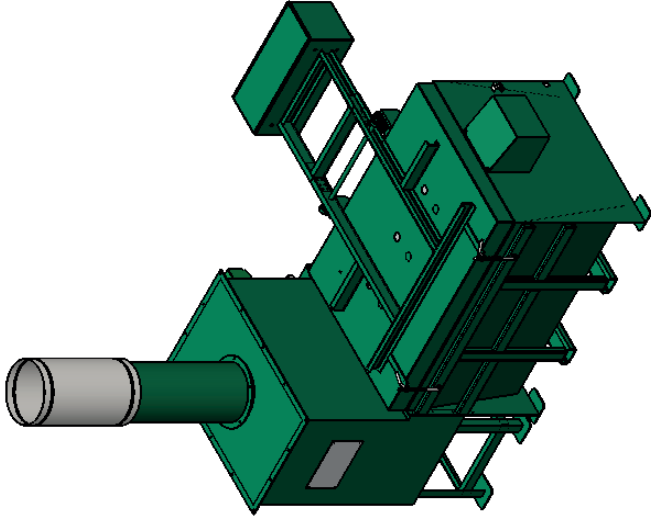
### Fuel Tank

Allowing you to operate the incinerator in all locations as well as providing a backup to your traditional supply. Available in 1000 to 5000 litre capacity. Fuel can be safely stored and monitored in close proximity to your incinerator.

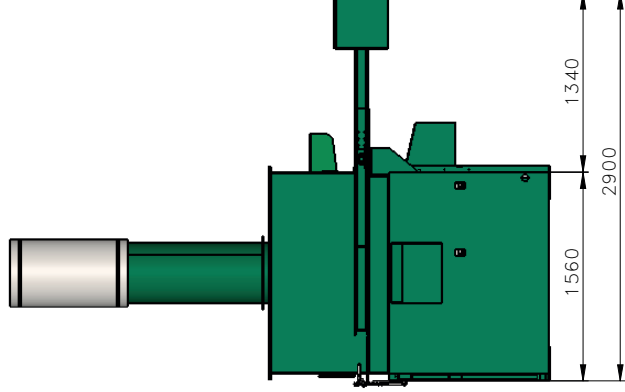


### Control Panel

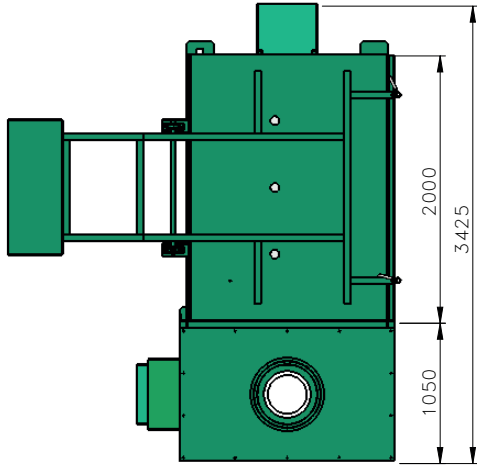
Specially designed control panels, to manage your incineration. Pre-programmed and able to be manually adjusted for optimal results. Push button and touch screen control with optional data logging system.



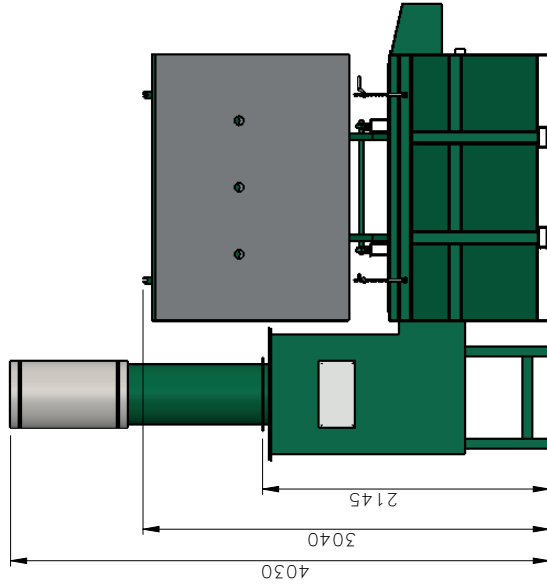
ISOMETRIC VIEW



SIDE VIEW



PLAN VIEW



FRONT VIEW  
OPEN LID

DATE	DRAWN	CHECKED	APPROVED	DATE	DRAWN	CHECKED	APPROVED	DATE	DRAWN	CHECKED	APPROVED	DATE	DRAWN	CHECKED	APPROVED
D															

ADDFIELD ENVIRONMENTAL SYSTEMS LTD (2018)  
 This drawing and any information or descriptive material set out on it are the confidential and proprietary information of Addfield Environmental Systems LTD. IT IS TO BE KEPT SECRET AND NOT REPRODUCED, COPIED, LOANED IN WHOLE OR PART OR USED FOR ANY PURPOSE WITHOUT THE WRITTEN PERMISSION OF Addfield Environmental Systems.

FIRST ISSUE

DATE: 28/03/2019  
 DRAWN: KJ  
 CHECKED: HB  
 APPROVED: HB

DATE: A  
 DRAWN: COMMENTS  
 CHECKED: COMMENTS  
 APPROVED: COMMENTS

DATE: B  
 DRAWN: COMMENTS  
 CHECKED: COMMENTS  
 APPROVED: COMMENTS

DATE: C  
 DRAWN: COMMENTS  
 CHECKED: COMMENTS  
 APPROVED: COMMENTS

THIRD ANGLE PROJECTION (UNLESS STATED OTHERWISE)

MATERIAL: N/A

FINISH: N/A

TOLERANCES (UNLESS STATED OTHERWISE)  
 WHOLE NUMBERS ±1.00  
 1 DECIMAL PLACE ±0.10  
 2 DECIMAL PLACE ±0.05  
 ANGLES ±0.50°

WEIGHT: 4300 Kg



Addfield Environmental Systems LTD  
 Unit 9, Zone 4  
 Burntwood Business Park  
 Staffordshire  
 WS7 3XD

T: +44 (0)1543 571 280  
 F: +44 (0)1543 571 173  
 E: sales@addfield.com  
 www.addfield.com

DRAWN BY: KJ  
 DATE CREATED: 28/03/2019

PROJECT: STANDARD - SB

TITLE: SB-GA

DRAWING No. 4-001-2  
 REV -  
 SHEET No. 1 OF 1  
 SCALE: 1:40  
 A3