



G100 High capacity general municipal mixed waste incinerator.

The G100 incinerator is an advanced solution for the safe and complete destruction of general/mixed waste.



The G100 is a compact high capacity general waste incinerator. Able to destroy up to 100kg of mixed waste per hour. Developed to manage the destruction of a wide selection of waste on-site efficiently.

This self-contained system benefits from having a front-loading design. Allowing safe access for repeatedly loading waste during incineration and accessible de-ashing once completed. Highly adaptable the G100 is able to securely handle waste generated in even the most challenging of environments.

A highly economical and fuel efficient system combining advanced construction materials with a multi-layered refractory enables operational savings of up to 40%. Securing a rapid return on your investment.

Machine Specification

External L x W x H (mm)	5025 x 2050 x 3600/5400
Internal L x W x H (mm)	3035 x 1170 Ø
Chamber Volume (m ³)	3
Weight (approx tonnes)	8.6
Nominal Burn Rate	<100
Thermal Capacity (kW)	640
Power Supply 50/60 hz	210/230v
Door Aperture	1170 Ø
Control Panel	PLC
Fuel Types	Diesel, LPG, N-Gas
Fire Brick (Alumina)	42.5%
Insulation Fire Brick	Grade E23

*We reserve the right to change the specification, dimensions and quality of materials from time to time, so long as the alteration is minor or an improvement to the said product.

Primary Chamber

- Fully insulated internal refractory lining, constructed from high grade refractory brick ensuring a self-supporting, interlocking arrangement.
- Manually operated, access door.
- Waste ignition burner, temperature controlled on-off, complete with internal air fans.
- Combustion burner, temperature controlled on-off, complete with internal air fans.
- Secondary combustion burner air fans with automatically controlled distribution to their designated area.
- Two temperature sensor mounting points.

Secondary Chamber

- Fully insulated internal refractory lining, constructed from high-grade refractory brick and low thermal mass insulation.
- Secondary chamber burnout burner, temperature controlled on-off, complete with internal air fans.
- Integrated combustion burner air fans with automatically controlled distribution to their designated area.
- All combustion fuel pipework.
- All electrical components.
- One temperature sensor mounting point at the base of the exit flue ensuring the chamber reaches the necessary 1100°C minimum.

Expected Emissions*

% By Volume

Carbon Dioxide (CO ₂)	5%
Water (H ₂ O)	29%
Oxygen (O ₂)	6%
Nitrogen (N ₂)	54%
Smoke (Not detectable under standard operating conditions)	0%
Odour (Not detectable under standard operating conditions)	0%
Volume of Ash (Dependant on waste streams)	1-3%

G100 High capacity general municipal mixed waste incinerator.



Waste Loading and De-Ashing

The G100 incinerator is designed for front loading through the main access door. At the end of every incineration process, ash should be discharged through the loading door into the supplied catcher tray prior to being loaded for the next burn. When de-ashing the machine, make sure that all of the correct PPE is worn, this is to protect from any heat exiting the machine.

The Addfield Difference

- Pre-fabricated 8mm & 10mm robust mild steel casing, seam welded and suitably stiffened/ braced where necessary.
- Lightweight resilient refractory fibre insulation door, providing a tight seal, giving excellent thermal efficiency.
- Primary and secondary chamber lining rated at 1650°C.
- The steel structures are painted using a two-pack high grade paint system.
- A choice of AI or PLC controllers, with customisable programs that can optimise your operation times.
- A 180mm thick refractory lining, using fire bricks and insulation bricks, improving thermal efficiency.
- Custom built solutions to meet your requirements exactly.



Additional Operation Equipment



Fuel Tank

Allowing you to operate the incinerator in all locations as well as providing a backup to your traditional supply. Available in 1000 to 5000 litre capacity. Fuel can be safely stored and monitored in close proximity to your incinerator.



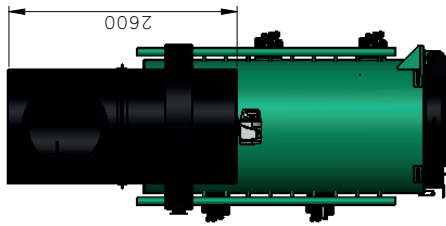
Chute Loader

A top loading chute system aids the continuous loading of waste during operation. Ideal for use with a bucket loading tipper system.

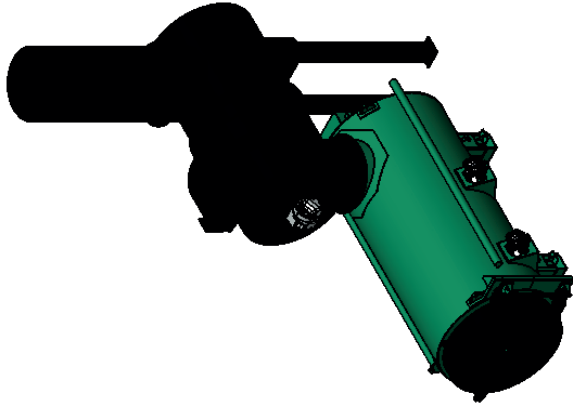


Bin Tipper

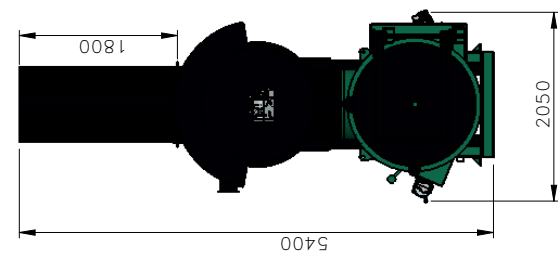
An automatic bin tipper system providing efficient hands free loading of hazardous waste. Compatible with most waste bin sizes.



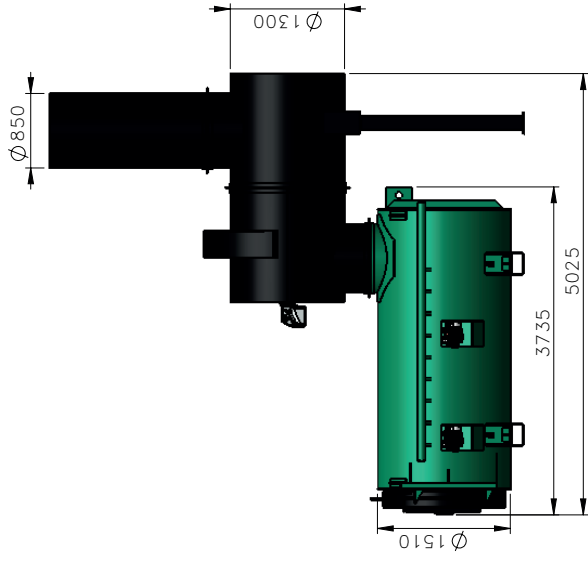
PLAN VIEW



ISOMETRIC VIEW



FRONT VIEW



SIDE VIEW

DATE	DRAWN	CHECKED	APPROVED	DATE	DRAWN	CHECKED	APPROVED	DATE	DRAWN	CHECKED	APPROVED
D											
C											
B											
A				30/04/2019	KJ						

This drawing and any information or the confidential and copyright property of Addfield Environmental Systems, and MUST NOT BE DISCLOSED, COPIED, LOANED in whole or part without the written permission of Addfield Environmental Systems.

Drawn: KJ
 Checked: [blank]
 Approved: [blank]

DATE: 30/04/2019
 DRAWN: KJ
 CHECKED: [blank]
 APPROVED: [blank]

DATE: [blank]
 DRAWN: [blank]
 CHECKED: [blank]
 APPROVED: [blank]

DATE: [blank]
 DRAWN: [blank]
 CHECKED: [blank]
 APPROVED: [blank]

DATE: [blank]
 DRAWN: [blank]
 CHECKED: [blank]
 APPROVED: [blank]

THIRD ANGLE PROJECTION (UNLESS STATED OTHERWISE)

TOLERANCES (UNLESS STATED OTHERWISE)

MATERIAL: N/A

FINISH: N/A

WHOLE NUMBERS ±1.00

1 DECIMAL PLACE ±0.10

2 DECIMAL PLACE ±0.05

ANGLES ±0.50°

WEIGHT: 8600kg



Addfield Environmental Systems LTD
 Unit 9, Zone 4
 Burntwood Business Park
 Staffordshire
 WS7 3XD
 www.addfield.com

T: +44 (0)1543 571 280
 F: +44 (0)1543 571 173
 www.addfield.com

DRAWN BY: KJ DATE CREATED: 30/04/2019

PROJECT: STANDARD G100

TITLE: G100 GA

DRAWING No. 36-001-3
 REV -
 SHEET No. 1 OF 1 SCALE: 1:60 A3