



G200 The most robust, reliable and efficient incinerators available anywhere.
 The G200 incinerator is perfect for the safe and complete destruction of general waste.



The G200 is a high capacity general incinerator, designed to handle general waste generated on-site. Having a front-loading design, enabling a safe and easy method for continuous loading of waste and de-ashing of the machine.

Biosecurity is a growing concern for industries across the globe, the implementation of an Addfield G200 can improve your ability to safely destroy waste.

The following information details the many features, specifications and optional equipment associated with our G200 incinerator.

Machine Specification	
External L x W x H (mm)	3750 x 4955 x 3790/5590
Internal L x W x H (mm)	3035 x 1340 Ø
Chamber Volume (m ³)	3
Weight (approx tonnes)	20.25
Nominal Burn Rate	<200
Thermal Capacity (kW)	740
Power Supply 50/60 hz (3 Phase)	380v
Door Aperture	1340 Ø
Control Panel	PLC
Fuel Types	Diesel, LPG, N-Gas
Fire Brick (Alumina)	42.5%
Insulation Fire Brick	Grade E23

*We reserve the right to change the specification, dimensions and quality of materials from time to time, so long as the alteration is minor or an improvement to the said product.

Primary Chamber

- Fully insulated internal refractory lining, constructed from high grade refractory brick ensuring a self-supporting, interlocking arrangement.
- Fully interlocked, manually operated, access door.
- Waste ignition burner, temperature controlled on-off, complete with internal air fans.
- Combustion burner, temperature controlled on-off, complete with internal air fans.
- Secondary combustion burner air fans with automatically controlled distribution to their designated area.
- Two temperature sensor mounting points.

Secondary Chamber

- Fully insulated internal refractory lining, constructed from high grade refractory brick and low thermal mass insulation.
- Secondary chamber burnout burner, temperature controlled on-off, complete with internal air fans.
- Integrated combustion burner air fans with automatically controlled distribution to their designated area.
- All combustion fuel pipework.
- All electrical components.
- One temperature sensor mounting point at the base of the exit flue ensuring the chamber reaches the necessary 1100°C minimum.

Expected Emissions*	% By Volume
Carbon Dioxide (CO ₂)	5%
Water (H ₂ O)	29%
Oxygen (O ₂)	6%
Nitrogen (N ₂)	54%
Smoke (Not detectable under standard operating conditions)	0%
Odour (Not detectable under standard operating conditions)	0%
Volume of Ash (Dependant on waste streams)	1-3%



Addfield Environmental Systems Limited
 Unit 9 | Zone 4 | Burntwood Business Park
 Staffordshire | WS7 3XD | United Kingdom
 © Addfield Environmental Systems Ltd. All information should be used as a guide only, specifications are subject to change without notice.



G200

The most robust reliable and efficient incinerators available anywhere.

Waste Loading and De-Ashing

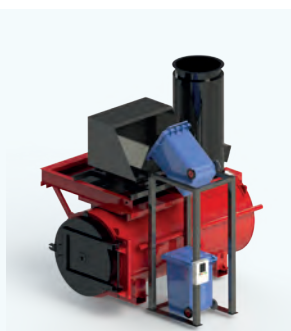
The G200 incinerator is designed for front loading only through the main access door. At the end of every incineration process, ash should be discharged through the loading door into the supplied catcher tray prior to being loaded for the next burn. When de-ashing the machine, make sure that all of the correct PPE is worn, this is to protect your self from the heat existing the machine.

The Addfield Difference

- Pre-fabricated 8mm & 10mm robust mild steel casing, seam welded and suitably stiffened/ braced where necessary.
- Lightweight resilient refractory fibre insulation lid, providing a tight seal, giving excellent thermal efficiency.
- Primary and secondary chamber lining thickness 180mm, rated at 1650°C.
- Low thermal mass door lining, with removable roof and back plate for ease of maintenance.
- Paint finishing – The steel structures are painted using a two-pack high grade paint system.
- With a choice of an AI or PLC Controller, customisable programs can cut your operations times.
- A 180mm thick refractory lining, using fire bricks and insulation bricks, improving thermal efficiency.



Additional Operation Equipment



Bin Tipper

An Automatically bin tipper system provides hands free loading of hazardous waste.



Ram Loader

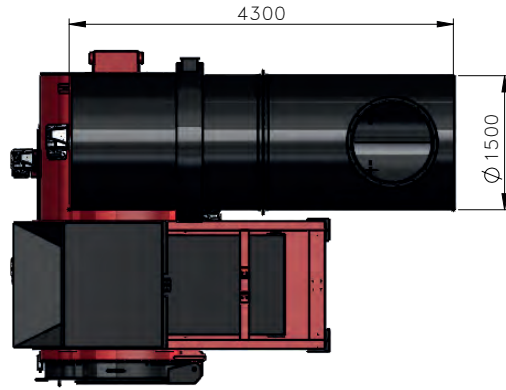
Built to enable the option of continuous loading throughout operation. Securely positioning waste into the primary chamber whilst maintaining temperature and preventing radiant heat and thermal shock.



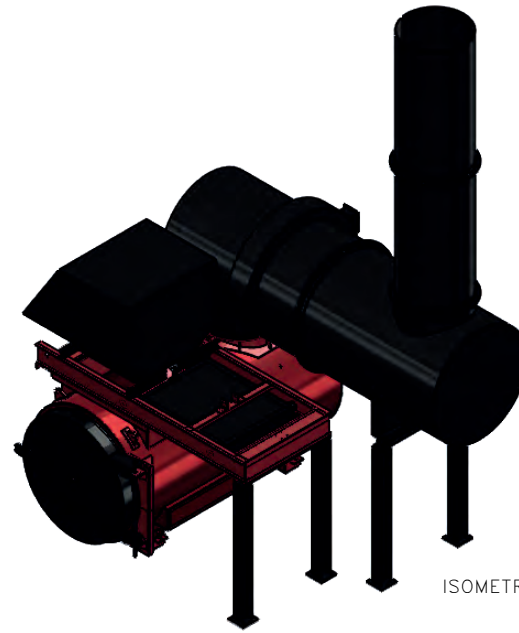
Venturi System

An advanced flue gas treatment system designed to further reduce dust, acid gasses, dioxins and furans. Highly effective the venturi is widely regarded as the leading treatment system in its field.

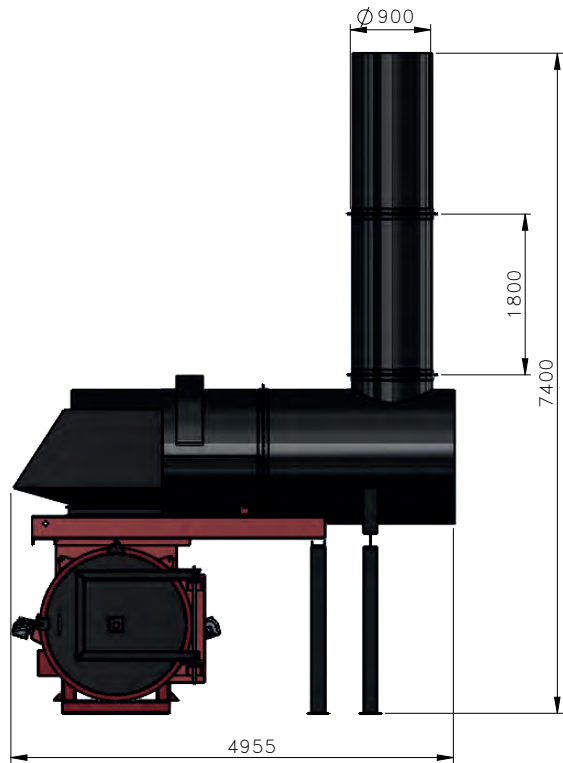
*SHOWN WITH OPTIONAL HOPPER



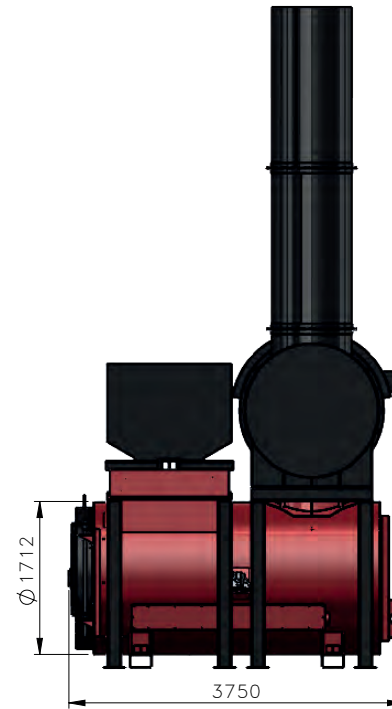
PLAN VIEW



ISOMETRIC VIEW



FRONT VIEW



SIDE VIEW

THIRD ANGLE PROJECTION
(UNLESS STATED OTHERWISE)

MATERIAL:
N/A
FINISH:
N/A

TOLERANCES
(UNLESS STATED OTHERWISE)
WHOLE NUMBERS ±1.00
1 DECIMAL PLACE ±0.10
2 DECIMAL PLACE ±0.05
ANGLES ±0.50°

WEIGHT:

addfield
Incinerate • Cremate

T: +44 (0)1543 571 280
F: +44 (0)1543 571 173
E: sales@addfield.com
www.addfield.com
Addfield Environmental Systems LTD
Unit 9, Zone 4
Burntwood Business Park
Staffordshire
WS7 3XD

DRAWN BY: AS
DATE CREATED: 21/05/2019

PROJECT:

C200 WITH TOP LOADER

TITLE:

C200 WITH TOP LOADER
GA

DATE	DRAWN	CHECKED	APPROVED	DATE	DRAWN	CHECKED	APPROVED	DATE	DRAWN	CHECKED	APPROVED	DATE	DRAWN	CHECKED	APPROVED	DATE	DRAWN	CHECKED	APPROVED			
D																					Addfield Environmental Systems LTD (2018) This drawing and any information or descriptive material set out on it are the confidential and copyright property of Addfield Environmental Systems, and MUST NOT BE DISCLOSED, COPIED, LOANED in whole or part or used for any purpose without the written permission of Addfield Environmental Systems.	
	COMMENTS			C				B				A	21/08/2019	KJ								

ADDED CHIMNEY EXTENSION AND
UPDATED DIMENSIONS

DRAWING No. 43-001-1	REV A
SHEET No. 1 OF 1	SCALE: 1:60
	A3