



## TB PET Large equine/pet cremation machine.

Top loading horse cremation machine. Advanced design to efficiently cremate most full size adult horses



Large top loading equine cremation machine. Designed and built along the latest advances in safe cremation. Having a multi layered brick based refractory achieving a 40% reduction in fuel consumption compared to alternative solutions.

Easy loading with reinforced concrete for hard wearing easy operation. DEFRA approved and compliant with EU Animal By Products Regulations. 1300kg loading capacity. Range of adaptations available to suit your pet crematorium.

### Machine Specification

External L x W x H (mm)	4245 x 2940 x 2145/4030
Internal L x W x H (mm)	2445 x 835 x 840
Chamber Volume (m <sup>3</sup> )	1.71
Weight (approx tonnes)	4.8
Max Load Capacity (kg)	1300
Nominal Burn Rate UK* (kg/hr)	<50
Burn Rate [Export Only]* (kg/hr)	50 - 75
Thermal Capacity (kW)	390
Power Supply 50/60 hz	210/230v
Door Aperture	2385 x 1055
Control Panel	AI or PLC
Fuel Types	Diesel, LPG, N-Gas
Insulation Board	25mm Super-wool
Insulation Fire Brick	Grade E23
Fire Brick (Alumina)	42.5%

\*We reserve the right to change the specification, dimensions and quality of materials from time to time, so long as the alteration is minor or an improvement to the said product.

### Primary Chamber

- Pre-cast block impact zone protecting refractory lining during loading.
- Heavily insulated internal brick refractory, constructed along an interlocking systems to ensure maximum strength and resilience.
- Premium grade high alumina content refractory brick work delivering optimal thermal retention.
- Top loading counter balanced insulated access lid.
- Temperature controlled waste ignition burner automatic on-off, complete with internal air fans.

### Secondary Chamber

- Fully insulated internal refractory lining. Constructed from high grade low thermal mass insulation.
- Temperature controlled Secondary chamber burnout burner with automatic on-off control, complete with internal air fans.
- Integrated combustion burner air fans automatically controlling distribution to designated areas.
- Temperature sensor mounting point at the top of the chamber, ensuring the chamber reaches the required 850°C minimum, with a 2 second retention time.

### Optional Extras

	De-ashing Tool	✓
	Pet & Horse Cremulator	✓
	Lift Table	✓
	Fuel Tank	✓
	Spares Kit & Servicing	✓

# TB PET Large equine/pet cremation machine.

## Waste Loading and De-Ashing

Designed for top loading directly into the primary chamber. Loading can be manual or mechanically through winch or hydraulic bin tippler. To be loaded no more than once per day prior to operation. The incineration process will reduce the waste to approximately 3% volume ash. The ash should be removed before the following waste is loaded to ensure optimum burn rates. Optional de-ashing doors are available.

## The Addfield Difference

- Pre-Fabricated 8mm & 10mm robust mild steel casing, seam welded and suitably stiffened/ braced where necessary.
- Optimised loading chamber for maximum operational capacity.
- Lightweight resilient refractory fibre insulated lid, providing a tight seal, giving excellent thermal efficiency.
- Counterweighted loading chamber lid for ease of use.
- Primary chamber lining thickness 180mm rated at 1450°C.
- Premium paint finish - Steel structures are painted using a two pack high grade paint system.
- Multi-layered refractory lining using fire bricks and insulation bricks, improving thermal efficiency.



## Additional Operation Equipment



### Fuel Tank

Allowing you to operate the incinerator in all locations as well as providing a backup to your traditional supply. Available in 1000 to 5000 litre capacity. Fuel can be safely stored and monitored in close proximity to your incinerator.



### De-ashing Tools

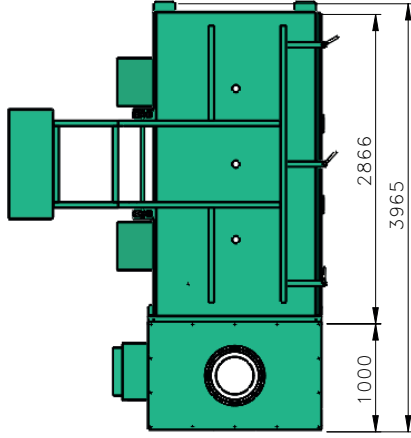
De-ashing tools increase the comfort of de-ashing the cremator. Associated with removing hot ash from the chamber of the cremator straight into the ash box, ready to be processed in the cremulator unit.



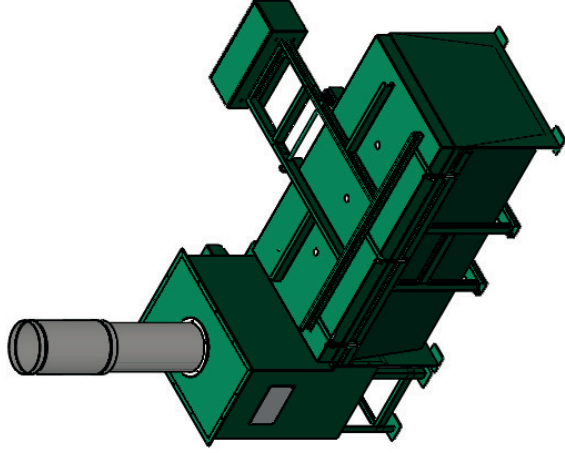
### Equine Cremulator

The equine cremulator has been specially designed and optimised to securely reduce large fragments of bone left in the chamber, into a fine ash in only 180 seconds. The remaining ash can then be easily decanted.

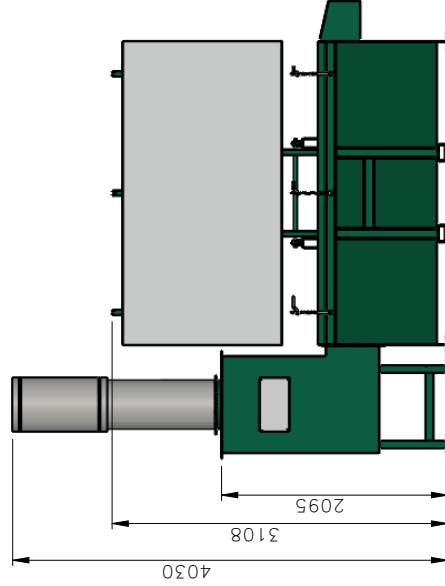
# TB-PET



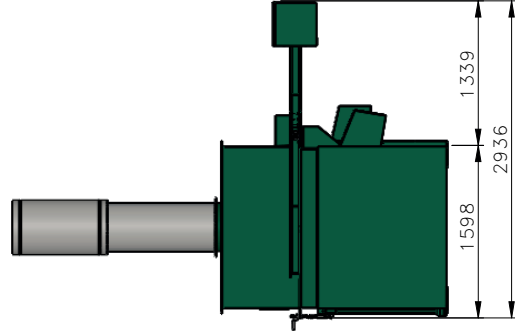
PLAN VIEW



ISOMETRIC VIEW



SIDE VIEW  
OPEN LID



FRONT VIEW

DATE	DRAWN	CHECKED	APPROVED	DATE	DRAWN	CHECKED	APPROVED	DATE	DRAWN	CHECKED	APPROVED	DATE	DRAWN	CHECKED	APPROVED
D															
C															
B															
A				07/01/2018	A.SMYTH	AN	HJ								
COMMENTS FIRST ISSUE															

Address: Environmental Systems Ltd (2018)  
 This drawing is the property of Addfield Environmental Systems Ltd (2018). It is to be used for the design and construction of the equipment described in the drawing. It is not to be used for any other purpose without the written permission of Addfield Environmental Systems Ltd.

THIRD ANGLE PROJECTION (UNLESS STATED OTHERWISE)	TOLERANCES (UNLESS STATED OTHERWISE) WHOLE NUMBERS ±1.00 1 DECIMAL PLACE ±0.10 2 DECIMAL PLACE ±0.05 ANGLES ±0.50°
MATERIAL: N/A	FINISH: N/A
WEIGHT: 4790 Kg	

**addfield**  
 Incinerate.Cremate

Addfield Environmental Systems LTD  
 Unit 9, Zone 4  
 Burntwood Business Park  
 Staffordshire  
 WS7 3XD

I: +44 (0)1543 571 280  
 F: +44 (0)1543 571 173  
 E: sales@addfield.com  
 www.addfield.com

DRAWN BY: A.SMYTH DATE CREATED: 21/02/2019  
 PROJECT:

STANDARD – TB PET

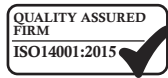
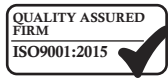
TITLE:  
 TB PET-GA

DRAWING No.	REV
5-001-2-PET	-
SHEET No. 1 OF 1	SCALE: 1:50
	A3



# Addfield Intelligent PLC Controller

Simple to operate adaptive control system for achieving optimal results from your machine.



## Controller Features

The Addfield PLC Controller has been developed to provide you with a simple yet effective operational process. Designed around a touch screen HMI interface, and independent burner control buttons and switches.

The touch screen interface provides all of your essential operations at the press of a finger. Having pre-loaded programmes optimised for your individual requirements, waste type and operating regime.

Giving you instant access to live temperature readings for the primary and secondary chambers and remaining burn time to enable you to manage your incineration process more efficiently.

Simple to install with a plug and play interface which enables straight forward installation and maintenance.

Built in data-logging to automatically records you usage, timings and temperatures achieved. Archives all essential which is able to be exported to Excel through the removable USB drive.

Complete with the addition of an emergency stop button to instantly cancel all operations.



## Key Features

- Plug and play design
- Zone ramp sequence multi zone controller.
- Incoming and outgoing cable terminations.
- Burner control gear.
- Interface relays and contractors.
- Temperature indication and control of the primary chamber.
- Temperature indication and control of the secondary chamber.
- Plant status indicators.
- Cycle status indicators.
- Fault status indicators.
- Operator interface.
- Data-logging.
- Schematic overview.
- USB Port.
- Emergency Stop button.

\*We reserve the right to change the specification, dimensions and quality of materials from time to time, so long as the alteration is minor or an improvement to the said product.