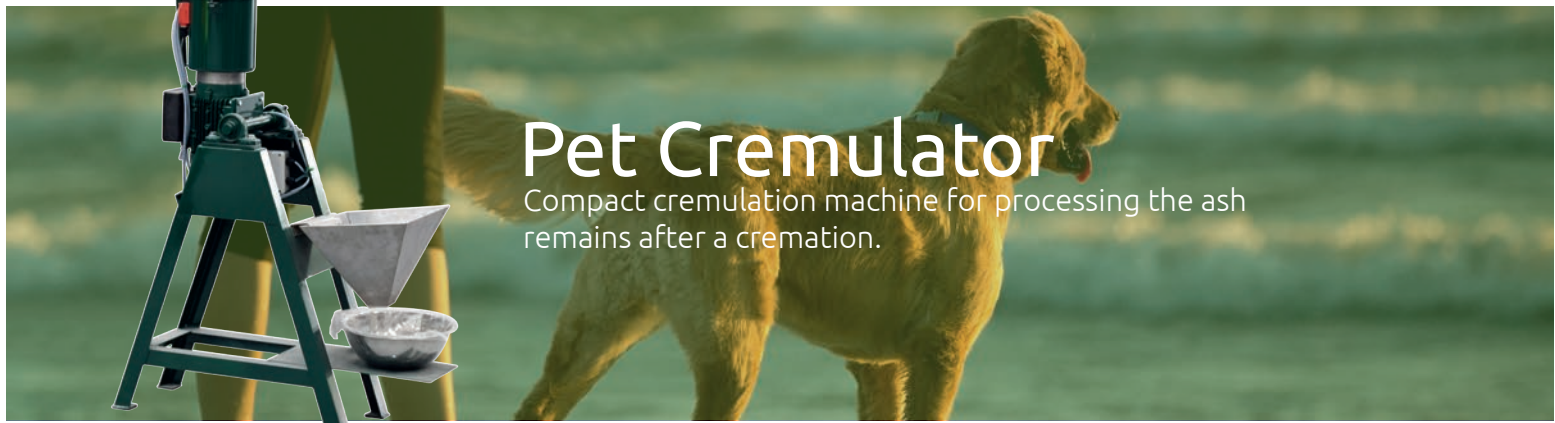
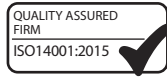
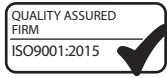


Pet Cremation



Pet Cremulator

Compact cremulation machine for processing the ash remains after a cremation.



Pet Cremulator

The Addfield Pet cremulator is the ideal accessory to accompany any pet cremation business. Constructed from long lasting, rugged mild steel the cremulator rapidly reduces all bone fragments left behind after the cremation process. Grinding them down into a fine, presentable ash in as little as 2 minutes. The result is a more visually appealing remains format for the operators to return to the pet owners.

The cremulator has a dust tight seal on the drum and the lid which prevents leakage and a robust 6mm thick, mild steel blade.

The advanced remains processing system is dust free and shuts off automatically once the process has finished.



Ergonomically Friendly

Once completed, it is important to leave the ash to settle in the sealed chamber for 5 minutes before emptying into the ash bowl, using the ergonomically friendly pivoting arm.

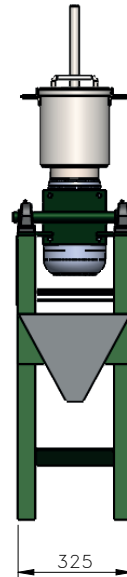
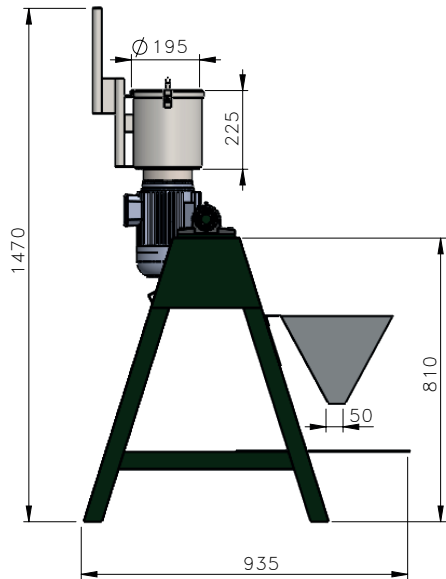
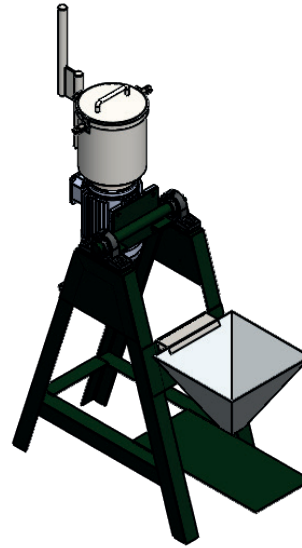
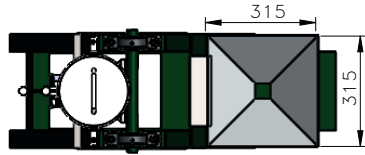
The finished remains are a fine ash which makes it ideal for all crematoriums that complete individual cremations. A larger Equine cremulator is also available



Cremulator Specification

External Length (mm)	935
External Width (mm)	325
External Height (mm)	1470
Chamber Volume (litres)	6
Weight (Approx. kg)	60

*We reserve the right to change the specification, dimensions and quality of materials from time to time, so long as the alteration is minor or an improvement to the said product.



THIRD ANGLE PROJECTION
(UNLESS STATED OTHERWISE)

MATERIAL:
N/A

FINISH:
N/A

TOLERANCES
(UNLESS STATED OTHERWISE)
WHOLE NUMBERS ±1.00
1 DECIMAL PLACE ±0.10
2 DECIMAL PLACE ±0.05
ANGLES ±0.50°

WEIGHT:

addfield
Incinerate • Cremate

T: +44 (0)1543 571 280
F: +44 (0)1543 571 175
E: sales@addfield.com
www.addfield.com

Addfield Environmental Systems LTD
Unit 9, Zone 4
Burntwood Business Park
Staffordshire
WS7 3XD

DRAWN BY: KJ

DATE CREATED: 29/04/2019

PROJECT:

STANDARD CREMULATOR

TITLE:

CREMULATOR GA

DATE	DRAWN	CHECKED	APPROVED	DATE	DRAWN	CHECKED	APPROVED	DATE	DRAWN	CHECKED	APPROVED	DATE	DRAWN	CHECKED	APPROVED	DATE	DRAWN	CHECKED	APPROVED	
D				C				B				A				29/04/2019 KJ				
COMMENTS				COMMENTS				COMMENTS				COMMENTS				COMMENTS				

Addfield Environmental Systems LTD (2018)
This drawing and any information or
descriptive material set out on it are the confidential and
copyright property of Addfield Environmental Systems, and
MUST NOT BE DISCLOSED, COPIED, LOANED in whole or part
or used for any purpose without the written permission of
Addfield Environmental Systems.

DRAWING No.
27-GA-001

REV
—

SHEET No. 1 OF 1

SCALE: 1:15

A3