

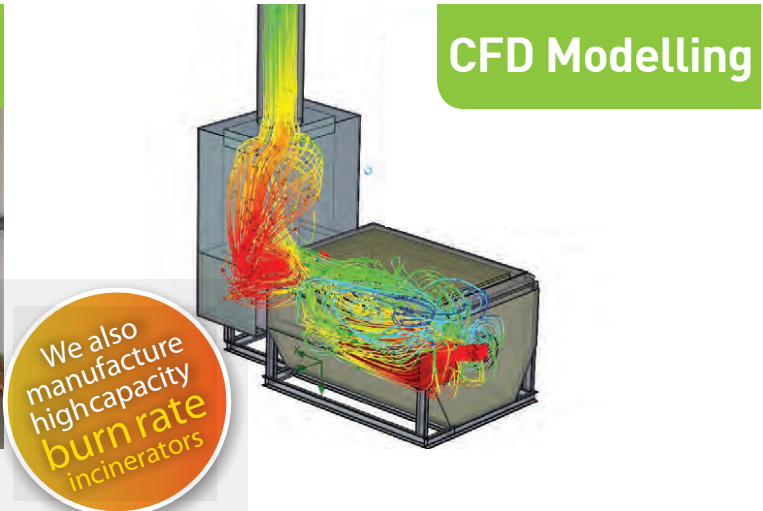
'The most thermally efficient, robust and reliable animal cremators on the market
Simply Built Better!'



TB-AB 2000Kg Animal Cremator

Suitable for: Horses

The largest low capacity machine on the market, extremely robust with a 10mm steel periphery and pre-cast block abrasion/impact resistant seal that protects the refractory from mechanical loading. The TB-AB is Ideal for larger animals such as horses and cattle. With an internal chamber volume of 4.18m³ the TB-AB ensures even the largest carcass can be loaded fast and efficiently. Complete with excess air systems that maintains a constant burn rate up to 50kg per hour cleanly and efficiently every time.



t: +44(0)1543 571280 | f: +44(0)1543 571173
e: sales@addfield.com | www.addfield.com
Addfield Environmental Systems Limited
Unit 9 | Zone 4 | Burntwood Business Park | Staffordshire | WS7 3XD | UK

addfield
Incinerate • Cremate

TB-AB 2000Kg Animal Cremator

Suitable for: Horses

The agricultural range is designed as a two stage cremator unit comprising of a primary loading chamber and a secondary after burner chamber. This afterburner system draws the hot gases from the primary chamber, this ensures a clean (and compliant) burn at temperatures of 850-1150°C

The Addfield range of incinerators are CE Certified to BS EN 746-2 :1997, a recent emissions testing concluded the following results based on two second residue time within the secondary chamber, results are well below the EC limits.

Expected Emissions*	% by Volume
Carbon Dioxide (CO2)	7.4%
Water (H2O)	22%
Oxygen (O2)	6%
Nitrogen (N2)	64.5%
Smoke	0%
Odour	0%
(Not detectable under standard operating conditions)	
Volume of ash	1-3%
(Dependent on waste stream)	

*These emissions are based on minimum waste calorific values 45.7MJ/kg (animal carcase). With no other waste streams present other than general packaging containers that do not make up more than 1.5% of the total load weight.

Composition of fuel being used:

Fuel Input	Diesel	Composition %
Carbon	C	86%
Hydrogen	H1	13.2%
Nitrogen	N2	0.70%
Oxygen	O2	0.00%

We also manufacture high capacity burn rate cremators

Machine Specifications: TB-AB

External Length (mm)	3800
External Width (mm)	3565
External Height/Less Flue(mm)	3470/2270
Primary Chamber Sizes:	
Internal Length (mm)	2460
Internal Width (mm)	1640
Internal Height (mm)	1160
Chamber Volume (m³)	
Weight (Approx. Tonnes)	
	6.8
CE Certified	
	YES
EU Regulations Compliant	
	YES
Max Load Capacity (kg)	
	2000
Nominal Burn Rate UK*(kg/hr)	
	<50
Burn Rate [Export Only]*(kg/hr)	
	50-75
Thermal Capacity (kw/hr)	
	190
Power Supply 50/60hz	
	210/230v
Fuel Options:	
Diesel	Yes
LPG	Yes
N-Gas	Yes

† Based on general municipal waste streams

* Depending on the type waste stream being loaded and excludes heat up time.

We reserve the right to change the specification, dimensions and quality of materials from time to time, so long as the alteration is minor or an improvement to the said products.

Robust, Reliable...
...and Efficient

t: +44(0)1543 571280 | f: +44(0)1543 571173

e: sales@addfield.com | www.addfield.com

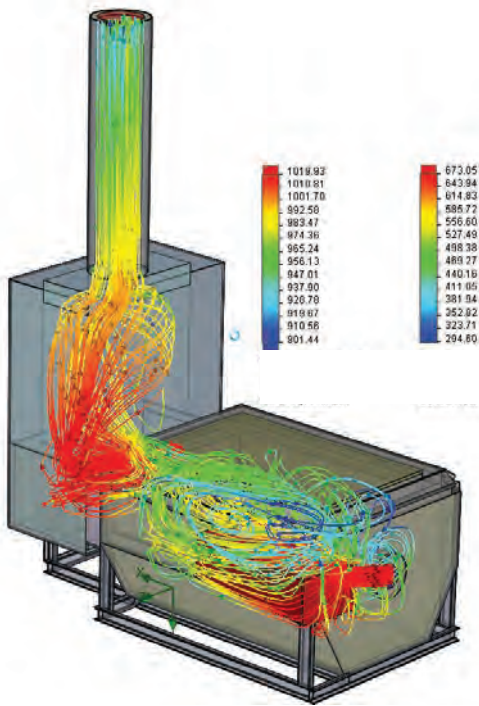
Addfield Environmental Systems Limited

Unit 9 | Zone 4 | Burntwood Business Park | Staffordshire | WS7 3XD | UK

addfield
Incinerate • Cremate

TB-AB 2000Kg Animal Waste Incinerator

Suitable for: Horses, Cattle, Fish, Pigs, General Waste



Computational Fluid Dynamically Modelled Incinerators

Key Features:

We have CFD modelled all of our incinerators by utilising some of the most advanced software available. By using Computational Fluid Dynamics software it helps us predict gas velocities /movements within the chambers along with external surface temperatures whatever the external ambient parameters maybe.

We also use this information to develop a more durable, robust and efficient incinerator by:

- Identifying heat build-up and stress points within the structure.
- Reducing thermal heat loss by increasing insulation systems.
- Designing out hot & cold spots to ensure complete combustion within the chamber.

General Construction

Robust, Reliable and Efficient

- Pre-fabricated 8 & 10mm robust mild steel casing, seam welded & suitably stiffened/ braced where necessary
- Paint finishing - The steel structures are completely painted using a two pack high grade paint system that is baked onto the steel structure at 70°C for 10hrs. The standard colour of the series is green for the primary and secondary chambers, lid, flue and counter balance.
- Three layers of refractory lining in the primary & secondary chambers totalling thickness of 180mm, rated at 1260°C, provide increased fuel efficiency.
- Lightweight resilient refractory fibre insulation lid, providing a tight seal and gives excellent thermal efficiency.
- Removable roof and back plate for ease of maintenance.
- All combustion fuel pipe work and electrical systems are weather proof and in accordance with BS7671-17.
- Excess air and rapid cooling systems fitted as standard, aiding cleaner burns and faster cool down times.

Primary Chamber

- Fully insulated internal refractory lining, constructed from high grade refractory brick ensuring a self-supporting interlocked arrangement.
- One manually operated, access lid
- Two waste ignition burner, temperature controlled on-off, complete with internal air fans
- A pre-cast block impact zone, that protects the refractory lining when loading.

Secondary Chamber

- Fully insulated internal refractory lining, constructed from high grade low thermal mass insulation.
- One secondary chamber burnout burner, temperature controlled on-off, complete with internal air fans
- Integrated combustion burner air fans with automatically controlled distribution to their designated area.
- One temperature sensor mounting point at the top of the chamber ensuring the chamber reaches the necessary 850°C minimum.

t: +44(0)1543 571280 | f: +44(0)1543 571173

e: sales@addfield.com | www.addfield.com

Addfield Environmental Systems Limited

Unit 9 | Zone 4 | Burntwood Business Park | Staffordshire | WS7 3XD | UK

addfield
Incinerate • Cremate

TB-AB 2000Kg Animal Waste Incinerator

Suitable for: Horses, Cattle, Fish, Pigs, General Waste



Addfield Programmable Logic Controller

Key Features:

- Plug and play design for easy & efficient replacement.
- Touch screen interface.
- Data logging.
- Incoming and outgoing cable terminations.
- Burner time control during cycles.
- Temperature feedback and control during cycles.
- Interface relays and contactors.
- Emergency stop feature.
- Security lock out.
- Cycle status indicators.
- Fault status indicators.
- Integrated excess air controller.
- Operator interface.



Waste Loading and De-Ashing

The agricultural series of incinerators are designed for top loading only through the main access door.

At the end of every incineration process it is recommended the ash should be removed prior to the next incineration cycle. In the UK regulatory requirements insist on sheep and cattle ash to be separated from other waste.

Waste types to be used in the Addfield TB-AB Incinerator

- Horses
- Cattle
- Fish
- Pigs
- General Waste

Combustion System

The burner system comprises of fully automatic package burners, these burners come complete with the following features:

- Flame failure controls
- Adjustable flame patterns
- Integral fuel pump
- Solenoid valves
- Integral continuous air fan
- Fuel sensors

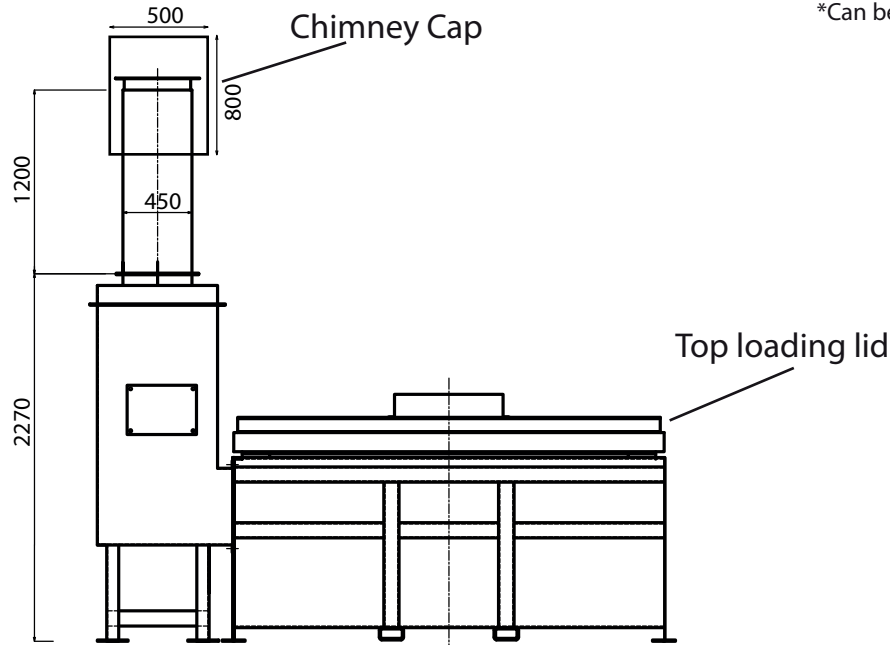
t: +44(0)1543 571280 | f: +44(0)1543 571173
e: sales@addfield.com | www.addfield.com

Addfield Environmental Systems Limited

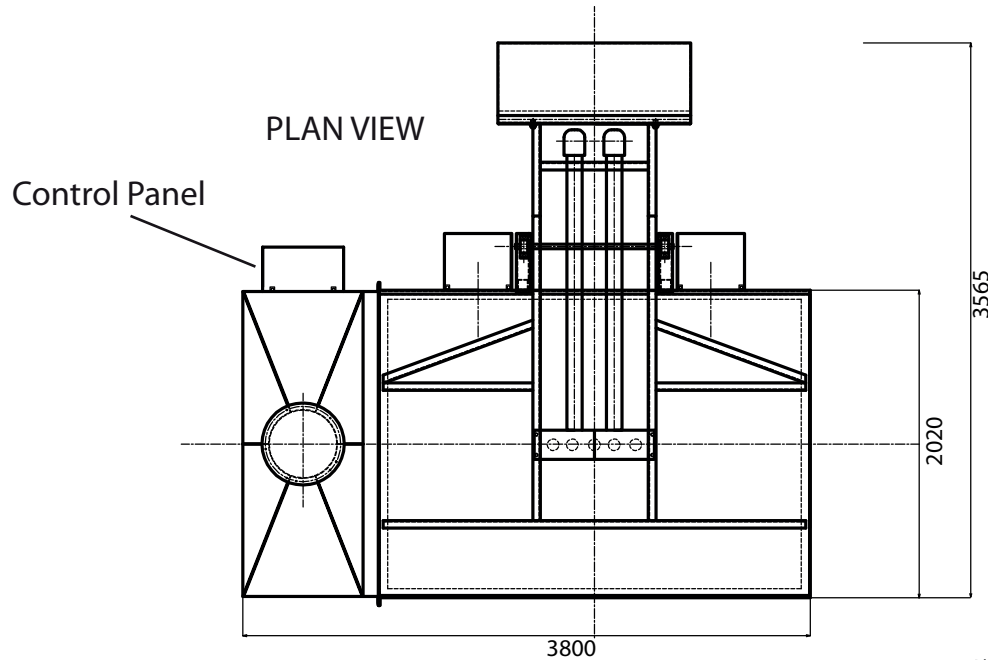
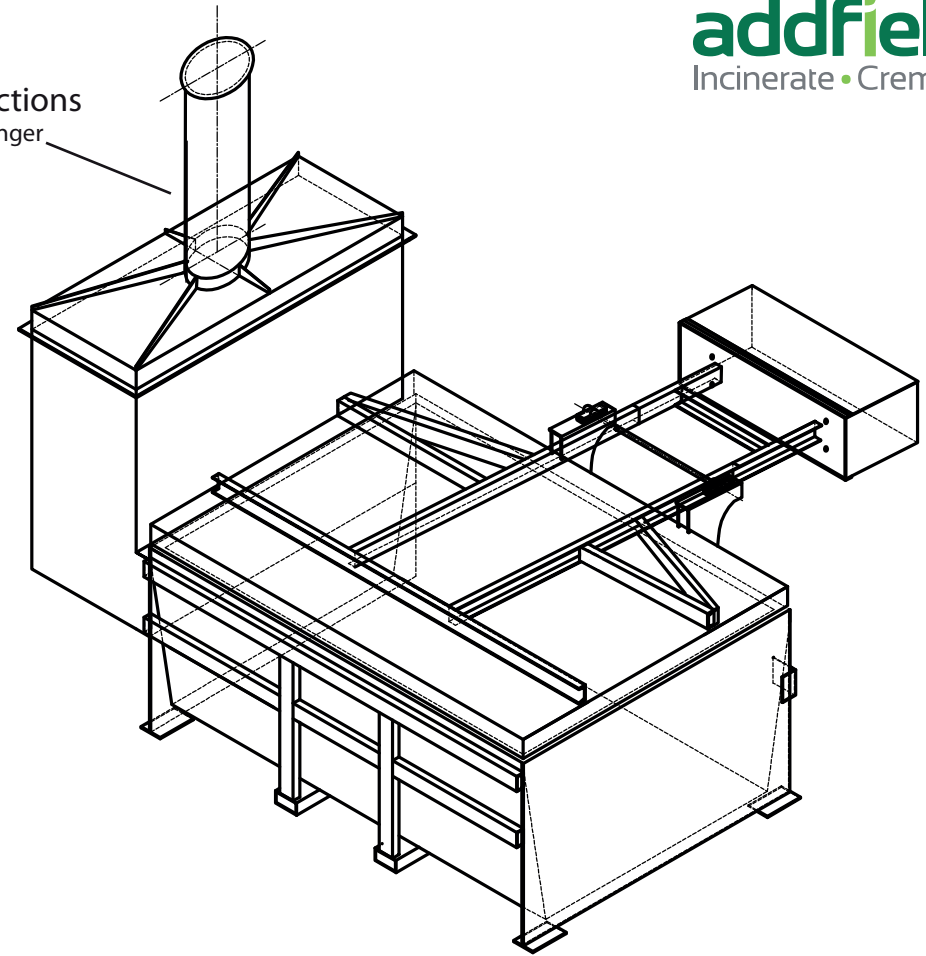
Unit 9 | Zone 4 | Burntwood Business Park | Staffordshire | WS7 3XD | UK

addfield
Incinerate • Cremate

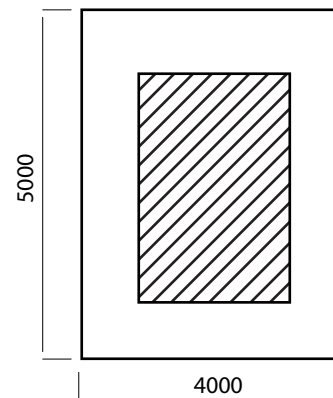
TB-AB Incinerator



Chimney Sections
*Can be made longer

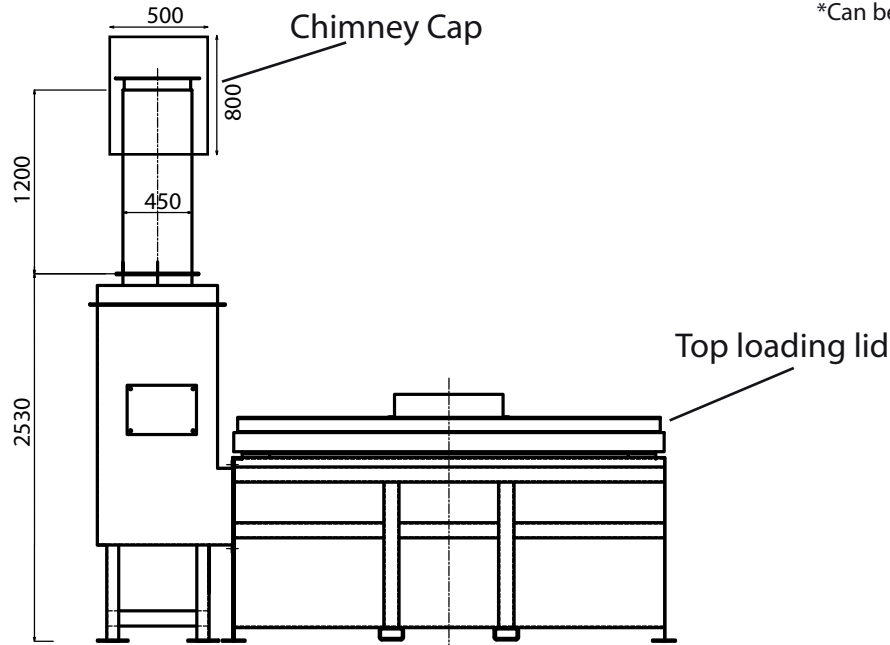


FLOOR PLAN
150mm concrete base

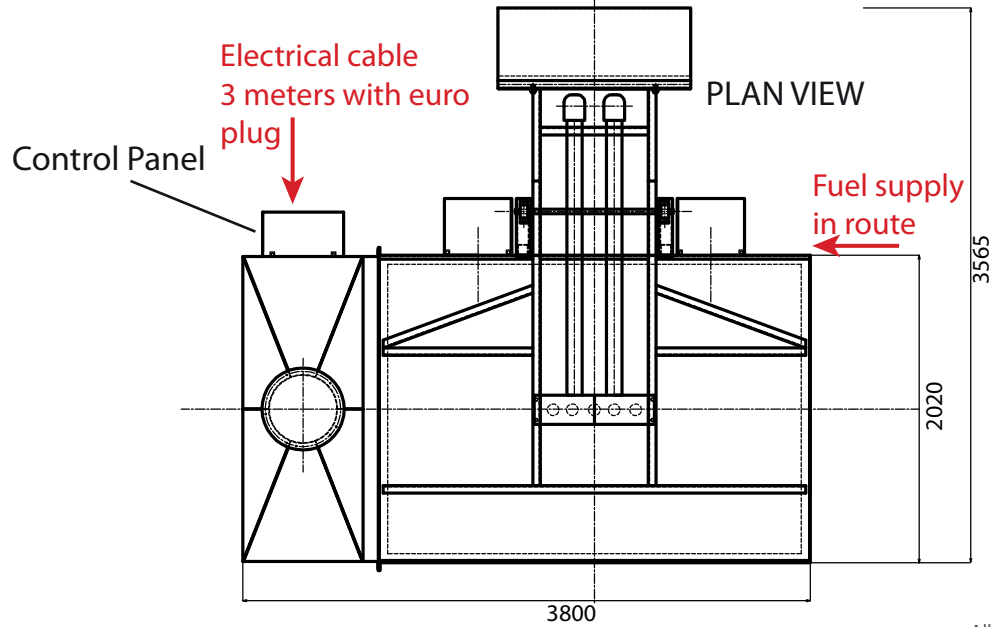
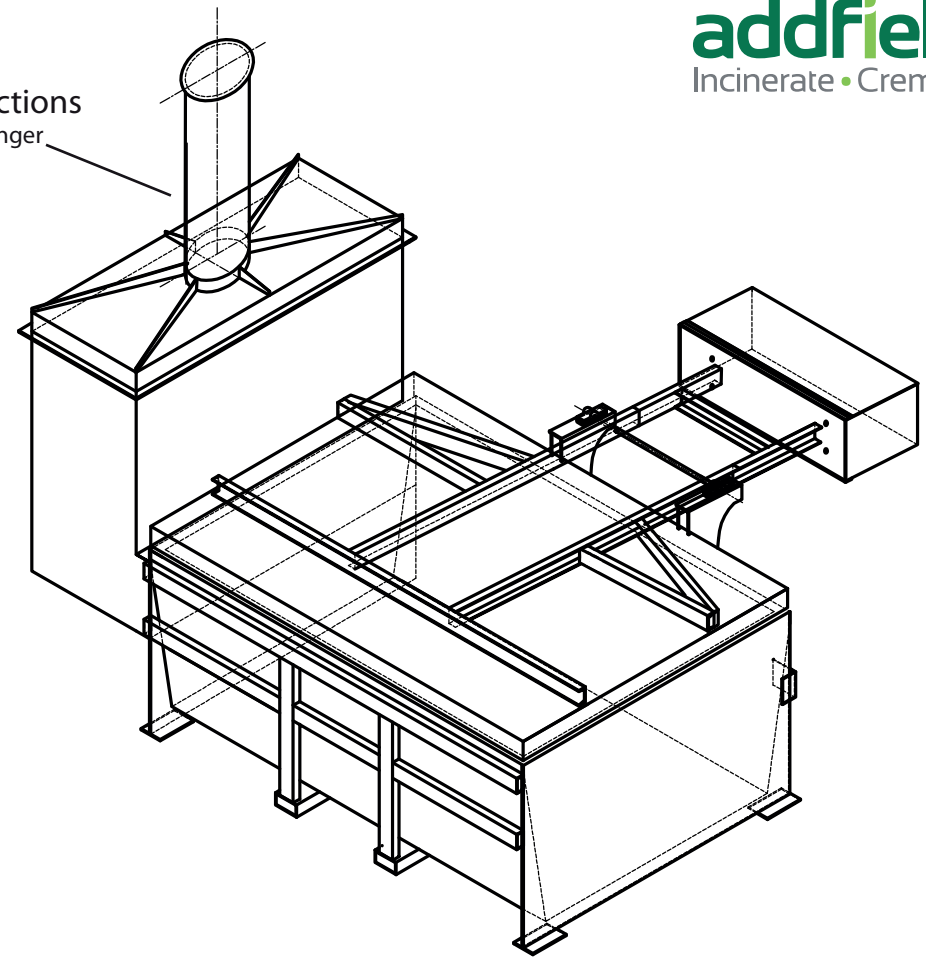


rev.	description	date
	addfield	
Addfield Environmental Systems Ltd Unit 9, Zone 4, Burntwood Business Park, Staffordshire, WS7 3XD www.addfield.com		
title GENERAL ARRANGEMENT OF TB-AB INCINERATOR		
scale:- Not to scale		
drawn:-	RLC	date:-
drg. no.	TB--AB-GA	rev.

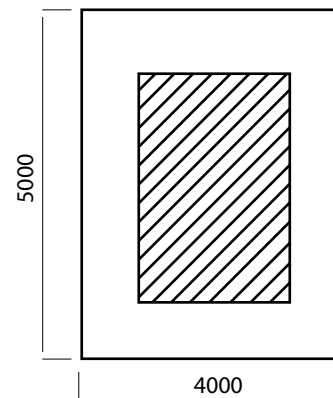
TB-AB Cremator



Chimney Sections
*Can be made longer



FLOOR PLAN
150mm concrete base



ISOMETRIC VIEW

rev.	description	date
addfield		
Addfield Environmental Systems Ltd Unit 9, Zone 4, Burntwood Business Park, Staffordshire, WS7 3XD www.addfield.com		
title GENERAL ARRANGEMENT OF TB-AB INCINERATOR		
scale:- Not to scale		
drawn:-	RLC	date:-
drg. no.	TB--AB-GA	rev.