

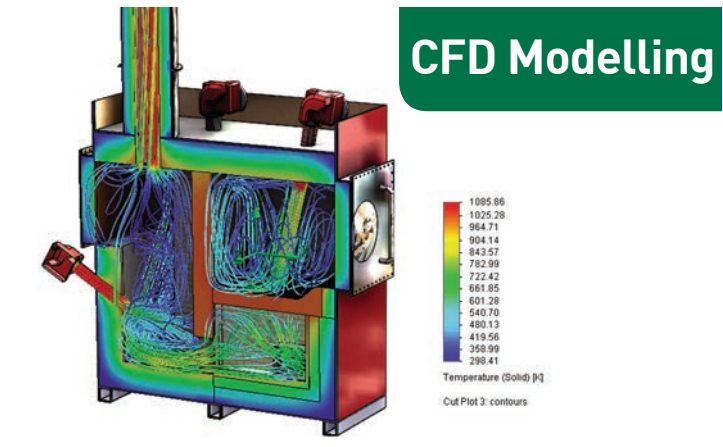
'The most thermally efficient, robust and reliable cremation machines on the market  
Simply Built Better!'



# INDIVIDUAL CREMATOR

Suitable for pet cremation of cats, dogs and other domestic animals.

The Addfield modular pet cremation unit is ideal for the cremation of domestic animals such as birds, cats and dogs. Extremely robust, reliable featuring an 8 & 10mm thick steel casing and an efficient three tier interlocking brick system. The PETCREM200 is one of the most advanced machines in its class. Ergonomically designed for quick, effective and clean individual crematorium use, animals are loaded via the stainless steel front door for the cremation process. The machine has options for a single chamber arrangement or multiple, with the addition of bolt on modules. EU/EPA compliant for use world wide.



t: +44(0)1543 571280 | f: +44(0)1543 571173  
e: sales@addfield.com | www.addfield.com  
Addfield Environmental Systems Limited  
Unit 9 | Zone 4 | Burntwood Business Park | Staffordshire | WS7 3XD | UK

**addfield**  
Incinerate • Cremate

© Addfield Environmental Systems Ltd  
All information should be used as a guide only, specifications are subject to change without notice.

# INDIVIDUAL CREMATOR

Suitable for pet cremation of cats, dogs and other domestic animals.

The Addfield range of incinerators are CE Certified to BS EN 746-2 :1997, a recent emissions testing concluded the following results based on two second residue time within the secondary chamber, results are well below the EC limits.

Expected Emissions*	% by Volume
Carbon Dioxide (CO2)	7.4%
Water (H2O)	22%
Oxygen (O2)	6%
Nitrogen (N2)	64.5%
Smoke	0%
(Not detectable under standard operating conditions)	
Odour	0%
(Not detectable under standard operating conditions)	
Volume of ash	1-3%
(Dependent on waste stream)	

\*These emissions are based on minimum waste calorific values 45.7MJ/kg (animal carcase). With no other waste streams present other than general packaging containers that do not make up more than 1.5% of the total load weight.

## Composition of fuel being used:

Fuel Input	Diesel	Composition %
Carbon	C	86%
Hydrogen	H <sub>1</sub>	13.2%
Nitrogen	N <sub>2</sub>	0.70%
Oxygen	O <sub>2</sub>	0.00%

## Combustion Systems

The burner system comprises of fully automatic package burners, these burners come complete with the following features:

- Flame failure controls
- Adjustable flame patterns
- Integral fuel pump
- Solenoid valves
- Integral continuous air fan
- Fuel sensors

## Machine Specifications PETCREM200

External Length (mm)	2240
External Width (mm)	1150
External Height (mm)	1950
(Per module)	
Primary Chamber Sizes:	
Internal Length (mm)	1200
Internal Width (mm)	700
Internal Height (mm)	700
Nominal Burn Rate UK*(kg/hr)	<50
Thermal Capacity (kw/hr)	240-480
Power Supply 50/60hz	210/230v
Fuel Options:	
Diesel	Yes
LPG	Yes
N-Gas	Yes

† Based on general municipal waste streams

\* Depending on the type waste stream being loaded and excludes heat up time.

We reserve the right to change the specification, dimensions and quality of materials from time to time, so long as the alteration is minor or an improvement to the said products.

**ROBUST, RELIABLE, EFFICIENT  
CREMATORIUM SOLUTIONS**

t: +44(0)1543 571280 | f: +44(0)1543 571173

e: sales@addfield.com | www.addfield.com

Addfield Environmental Systems Limited

Unit 9 | Zone 4 | Burntwood Business Park | Staffordshire | WS7 3XD | UK

**addfield**  
Incinerate • Cremate

# INDIVIDUAL CREMATOR

Suitable for pet cremation of cats and dogs and other domestic animals.



## Computational Fluid Dynamically Modelled Cremators

### Key Features:

We have CFD modelled all of our cremators by utilising some of the most advanced software available. By using Computational Fluid Dynamics software it helps us to predict gas velocities /movements within the chambers along with external surface temperatures whatever the external ambient parameters maybe.

We also use this information to develop a more durable, robust and efficient incinerator by:

- Identifying heat build-up and stress points within the structure.
- Reducing thermal heat loss by increasing insulation systems.
- Designing out hot & cold spots to ensuring compete combustion.

## General Construction

### Robust, Reliable and Efficient

- Pre-fabricated 8 & 10mm robust mild steel casing, seam welded & suitably stiffened/ braced where necessary.
- Paint finishing - The steel structures are completely painted using a two pack high grade paint system that is baked onto the steel structure at 70°C for 10hrs. Standard colours of the PETCREM Series are lucid blue for the main body, with a solid black door and upper cover plates.
- Lightweight resilient refractory fibre insulation door, providing a tight seal & gives excellent thermal efficiency.
- Primary & secondary chamber lining thickness – 180mm, rated at 1430°C.
- Low thermal mass roof lining, with removable roof and back plate for ease of maintenance.

## Primary Chamber

- Fully insulated internal refractory lining, constructed from high grade refractory brick ensuring a self-supporting interlocked arrangement.
- One fully interlocked, manually operated, access door
- One waste ignition burner, temperature controlled on-off, complete with internal air fans
- Secondary combustion burner air fans with automatically controlled distribution to their designated area.
- One temperature sensor mounting point.

## Secondary Chamber

- Fully insulated internal refractory lining, constructed from high grade refractory brick and low thermal mass insulation.
- One secondary chamber burnout burner, temperature controlled on-off, complete with internal air fans
- Integrated combustion burner air fans with automatically controlled distribution to their designated area.
- All combustion fuel pipe work
- All electrical requirements
- One temperature sensor mounting point at the base of the exit flue ensuring the chamber reaches the necessary 850°C minimum.

t: +44(0)1543 571280 | f: +44(0)1543 571173

e: sales@addfield.com | www.addfield.com

Addfield Environmental Systems Limited

Unit 9 | Zone 4 | Burntwood Business Park | Staffordshire | WS7 3XD | UK

**addfield**  
Incinerate • Cremate

# INDIVIDUAL CREMATOR

Suitable for pet cremation of cats,  
dogs and other domestic animals.



## Addfield Intelligent Controller

### Key Features:

- Plug and play design for easy & efficient replacement.
- Zone ramp sequence three zone controller
- Incoming and outgoing cable terminations
- Burner control gear
- Interface relays and contactors
- Temperature indication and control of the primary chamber
- Temperature indication and control of the secondary chamber
- Plant status indicators
- Cycle status indicators
- Fault status indicators
- Operator interface.



### Waste Loading and De-Ashing

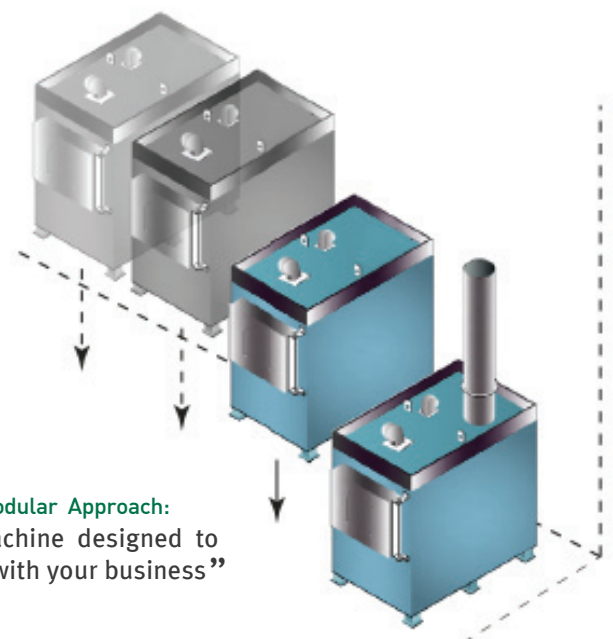
The pet cremation series of machines are designed for front loading only through the main access door. At the end of every cremation process it is recommended the ash should be removed prior to the next cremation cycle using the ash rake and box supplied.

### Waste types to be used in the Addfield Crematorium

- Cats
- Dogs
- Rabbits
- Guinea Pigs
- Birds
- Other domestic animals

### Why Go Modular?

- Dedicated solution specifically design for pet cremation
- Reuse of host machine componets
- Only one chimney stack required
- Harmonious working configuration
- Reduction in servicing and maintance costs
- More cost effective approach when adding new machines
- Reduced machine footprint thus, reducing floor sq/ft required



The Modular Approach:  
“A machine designed to  
grow with your business”

t: +44(0)1543 571280 | f: +44(0)1543 571173

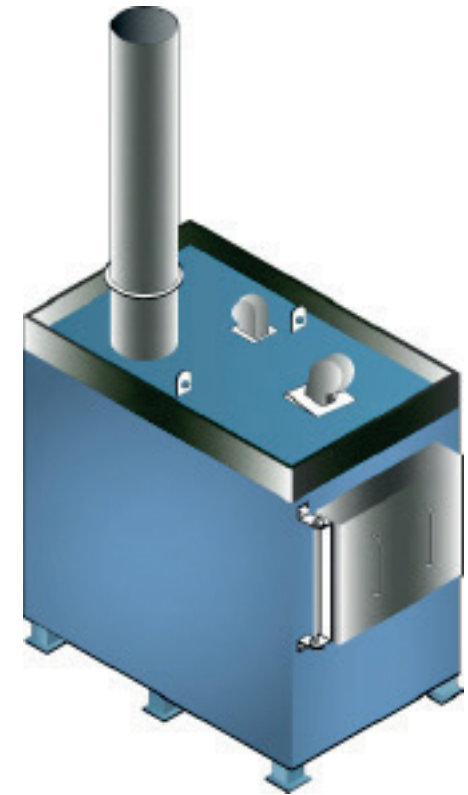
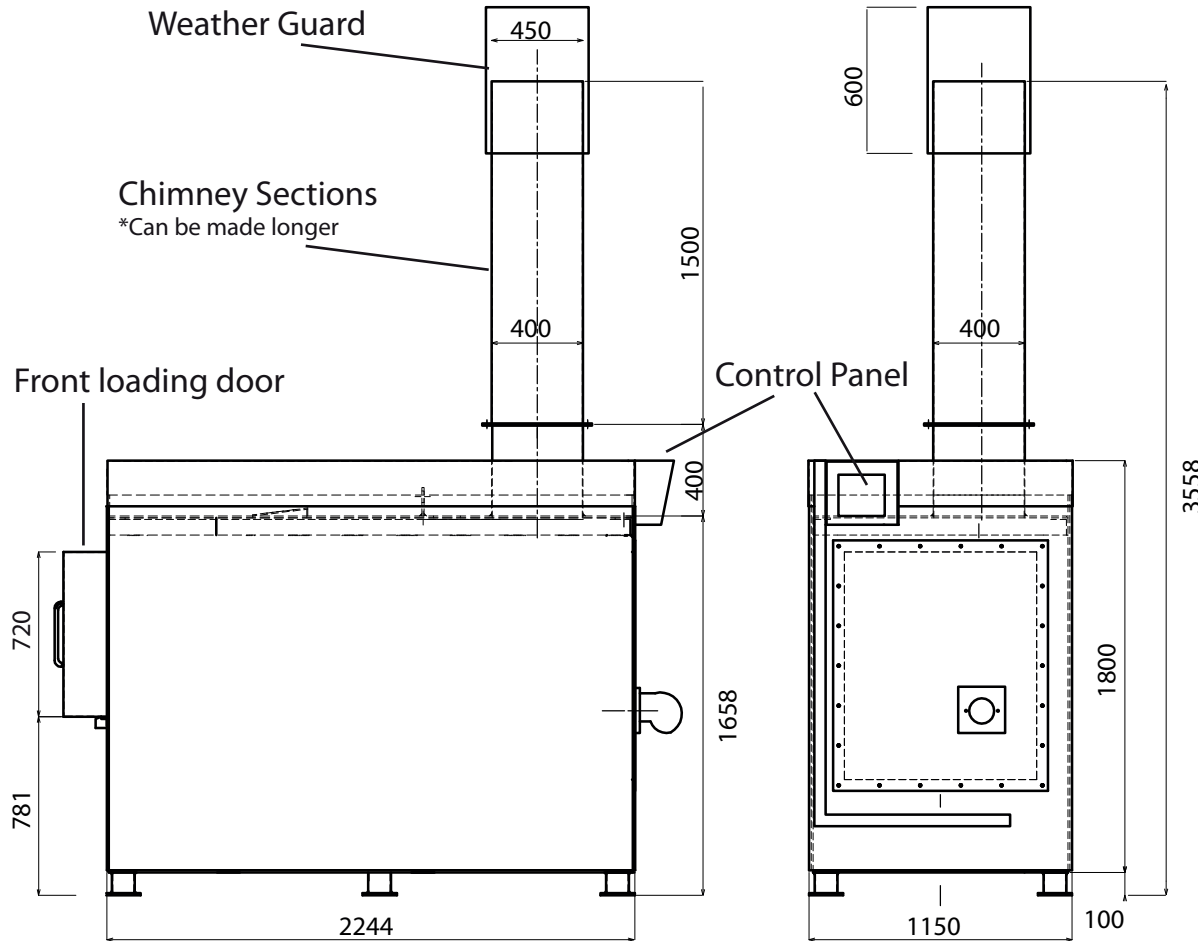
e: sales@addfield.com | www.addfield.com

Addfield Environmental Systems Limited

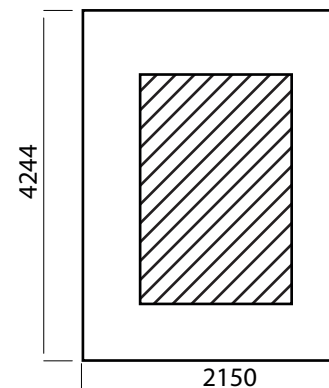
Unit 9 | Zone 4 | Burntwood Business Park | Staffordshire | WS7 3XD | UK

**addfield**  
Incinerate • Cremate

# INDIVIDUAL CREMATOR



FLOOR PLAN  
150mm concrete base



rev.	description	date
	<b>addfield</b> Addfield Environmental Systems Ltd Unit 9, Zone 4, Burntwood Business Park, Staffordshire, WS7 3XD <a href="http://www.addfield.com">www.addfield.com</a>	
	<b>title</b> GENERAL ARRANGEMENT OF INDIVIDUAL CREMATOR	
	<b>scale:</b> -Not to scale	
<b>drawn:-</b>	RLC	<b>date:-</b>
<b>drg. no.</b>	MP200-GA	<b>rev.</b>