

# CREMULATOR Remains Processor Suitable for: Domestic Animals

The Addfield Cremulator is designed for the use of processing animal remains once they have been cremated. The machine powders the remains into a fine ash which makes it ideal for all crematoriums who do individual cremations. The results is a more visually appealing remains format for the operators to return to the pet owners. The operation process lasts for as little as 30 seconds and once it is complete the ash can simply be tipped into a waiting receptacle via the pivoting arm to maximise the ease of use.



**Cremulator**

This state of the art machine has a dust tight seal on the drum lid which prevents leakage and a robust 6mm thick mild steel blade. The advanced pulverisation system is quiet, dust free and shuts off automatically once the process has finished.



**Before**

## Machine Specifications: Cremulator

External Length (mm)	1200
External Width (mm)	800
External Height (mm)	550
Primary Chamber Sizes:	
Internal Diameter (mm)	198
Internal Height (mm)	214
Chamber Volume (m <sup>3</sup> )	0.006
Weight (Approx. kilograms)	60
CE Certified	YES
EU Regulations Compliant	YES
Power Supply 50/60hz	210/230v
AMTECS Single Phase Motor	1.5kW (2.hp)



**After**

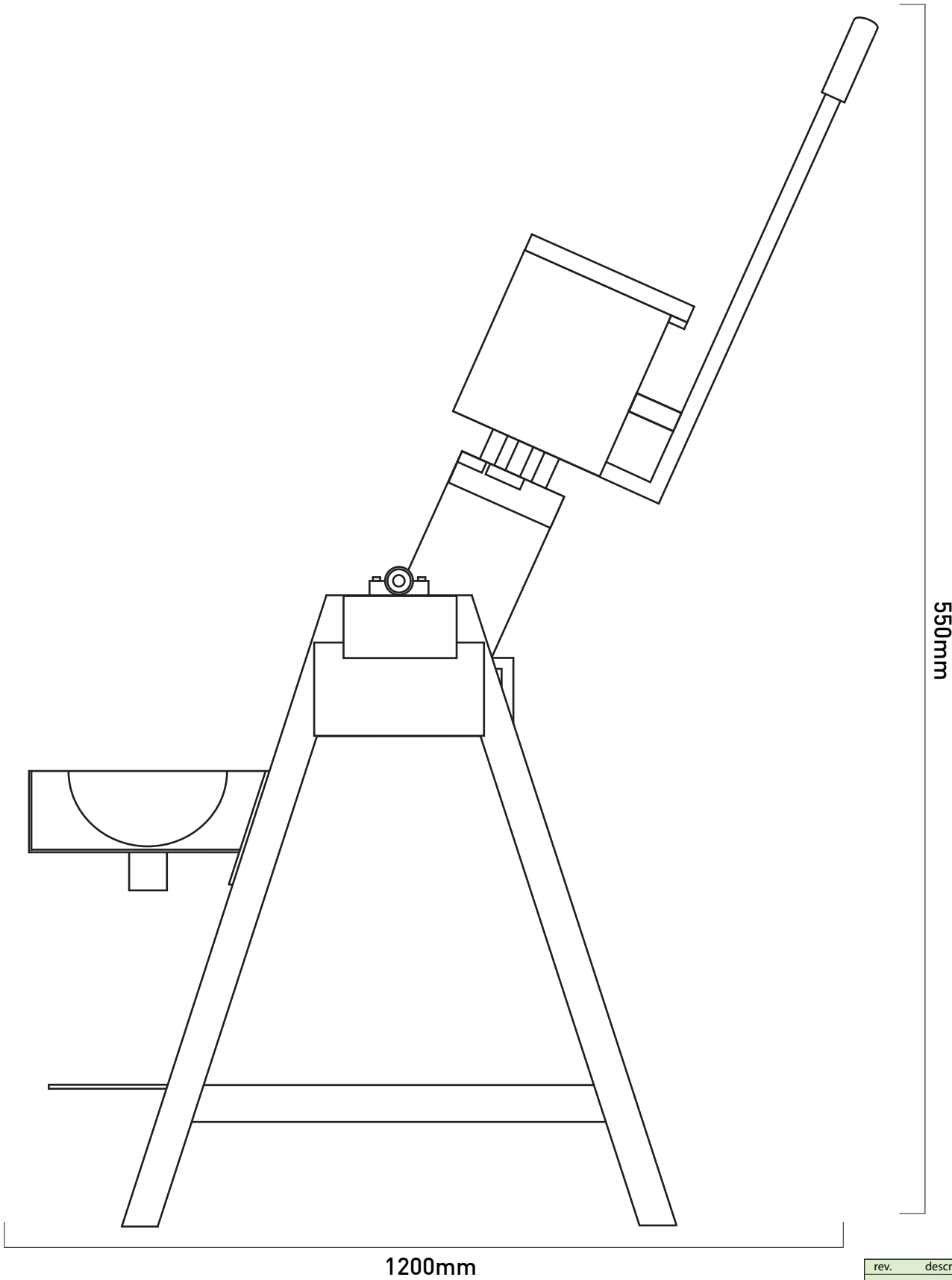
Please note: Wearable parts such as the blade are not covered by warranty.

**Robust, Reliable...  
...and Efficient**

t: +44(0)1543 571280 | f: +44(0)1543 571173  
 e: sales@addfield.com | www.addfield.com  
 Addfield Environmental Systems Limited  
 Unit 9 | Zone 4 | Burntwood Business Park | Staffordshire | WS7 3XD | UK

**addfield**  
 Incinerate • Cremate

# CREMULATOR



rev.	description	date
	<b>addfield</b> Addfield Environmental Systems Ltd Unit 9, Zone 4, Burntwood Business Park, Staffordshire, WS7 3XD <a href="http://www.addfield.com">www.addfield.com</a>	
	<b>title</b> GENERAL ARRANGEMENT OF MINI CREMATOR	
	<b>scale:-</b> Not to scale	
<b>drawn:-</b>		<b>date:-</b> 26/02/2015
<b>drg. no.</b> CREMULAT		<b>rev.</b>