

CREMULATOR

Remains Processor
Suitable for: Domestic Animals

The Addfield Cremulator is designed for the use of processing animal remains once they have been cremated. The machine powders the remains into a fine ash which makes it ideal for all crematoriums who do individual cremations. The results is a more visually appealing remains format for the operators to return to the pet owners. The operation process lasts for as little as 30 seconds and once it is complete the ash can simply be tipped into a waiting receptacle via the pivoting arm to maximise the ease of use.



This state of the art machine has a dust tight seal on the drum lid which prevents leakage and a robust 6mm thick steel blade. The advanced pulverisation system is quiet, dust free and shuts off automatically once the process has finished.



Machine Specifications: Cremulator

External Length (mm)	1200
External Width (mm)	800
External Height (mm)	550
Primary Chamber Sizes:	
Internal Diameter (mm)	198
Internal Height (mm)	214
Chamber Volume (m ³)	0.006
Weight (Approx. kilograms)	60
CE Certified	YES
EU Regulations Compliant	YES
Power Supply 50/60hz	210/230v

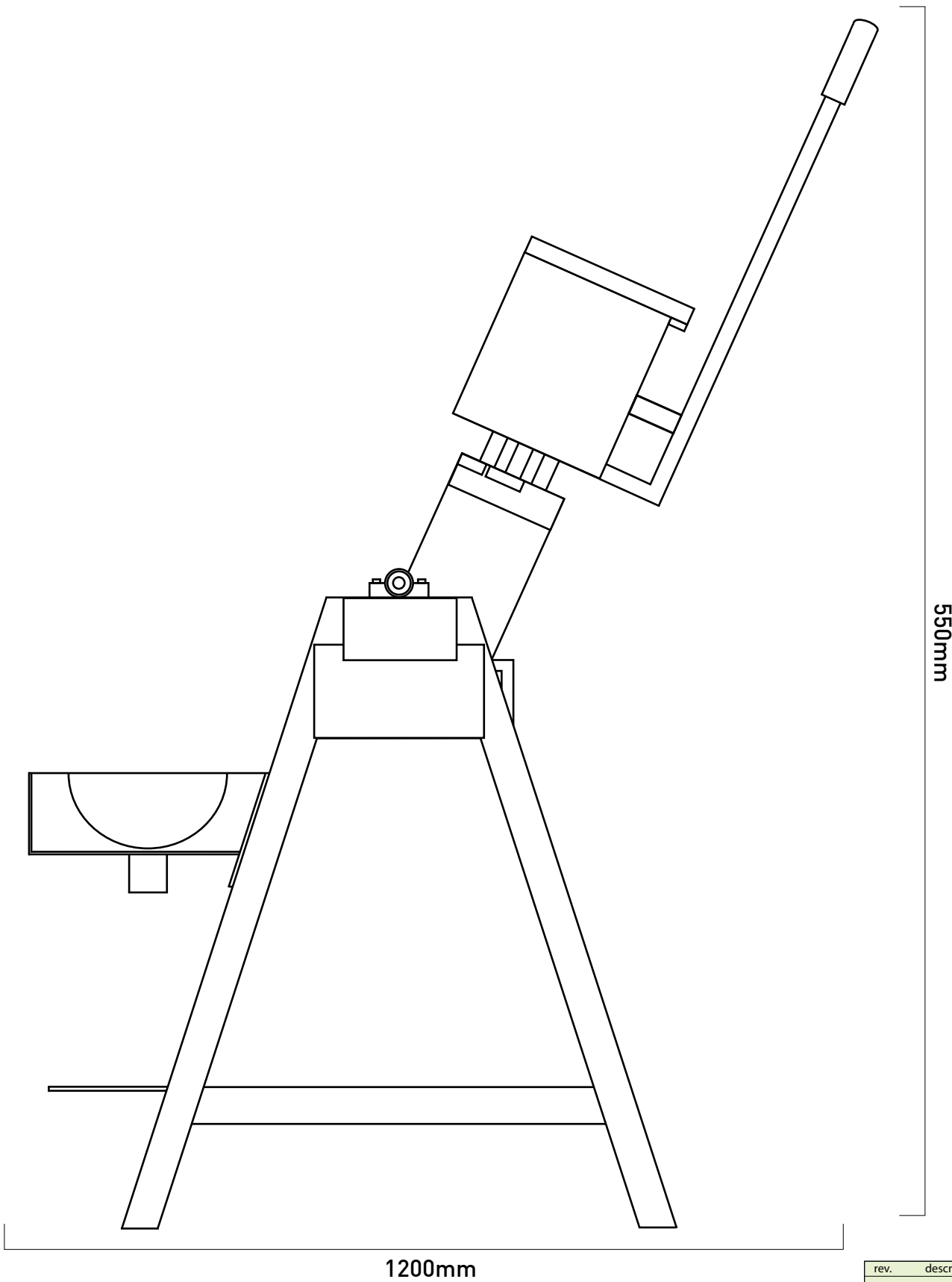


Robust, Reliable...
...and Efficient

t: +44 (0)1543 571280 | f: +44 (0)1543 571173
e: sales@addfield.co.uk | www.addfield.co.uk
Addfield Environmental Systems Limited
Höllies Park | Cannock | Staffordshire | WS11 1DB | UK

addfield
Incinerate • Cremate

CREMULATOR



rev.	description	date
	addfield Addfield Environmental Systems Ltd Unit 17 Hollies Park Cannock Staffordshire WS11 1DP www.addfield.co.uk	
	title GENERAL ARRANGEMENT OF MINI CREMATOR	
	scale:- Not to scale	
drawn:-		date:- 26/02/2015
drg. no. CREMULAT		rev.